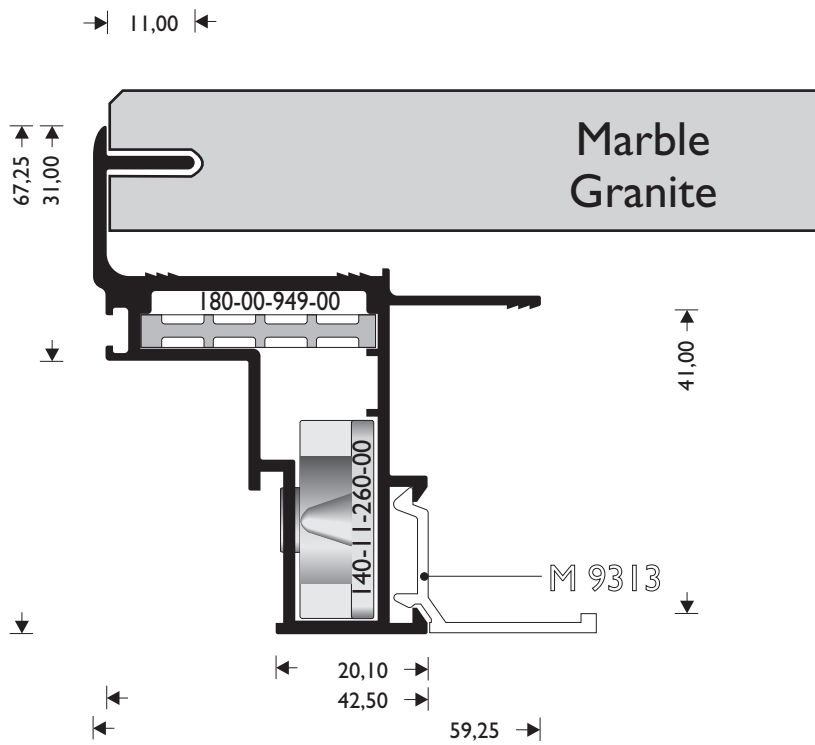


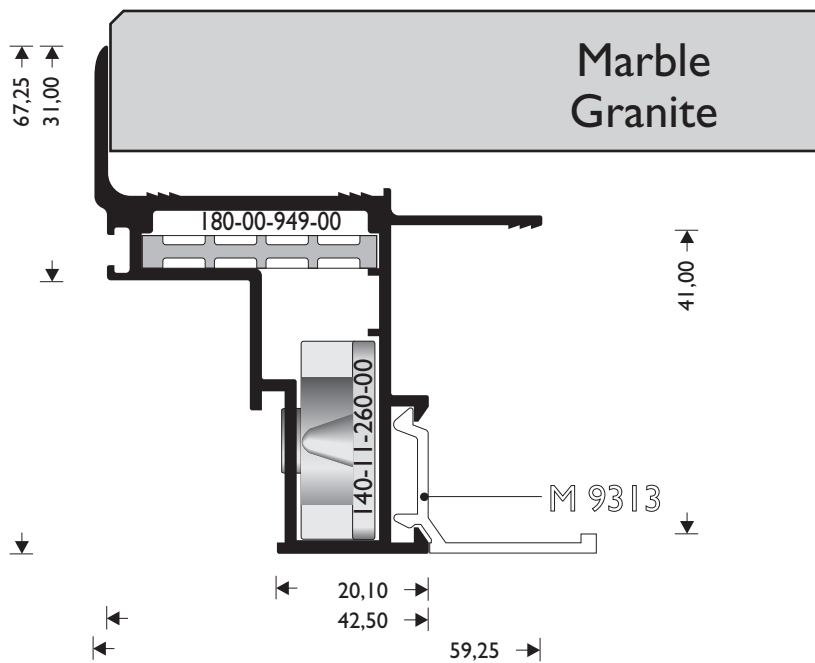
M 9995

W = 1112 gr/m
 $I_x = 13,48 \text{ cm}^4$
 $I_y = 9,47 \text{ cm}^4$



M 9996

W = 1056 gr/m
 $I_x = 11,72 \text{ cm}^4$
 $I_y = 8,85 \text{ cm}^4$

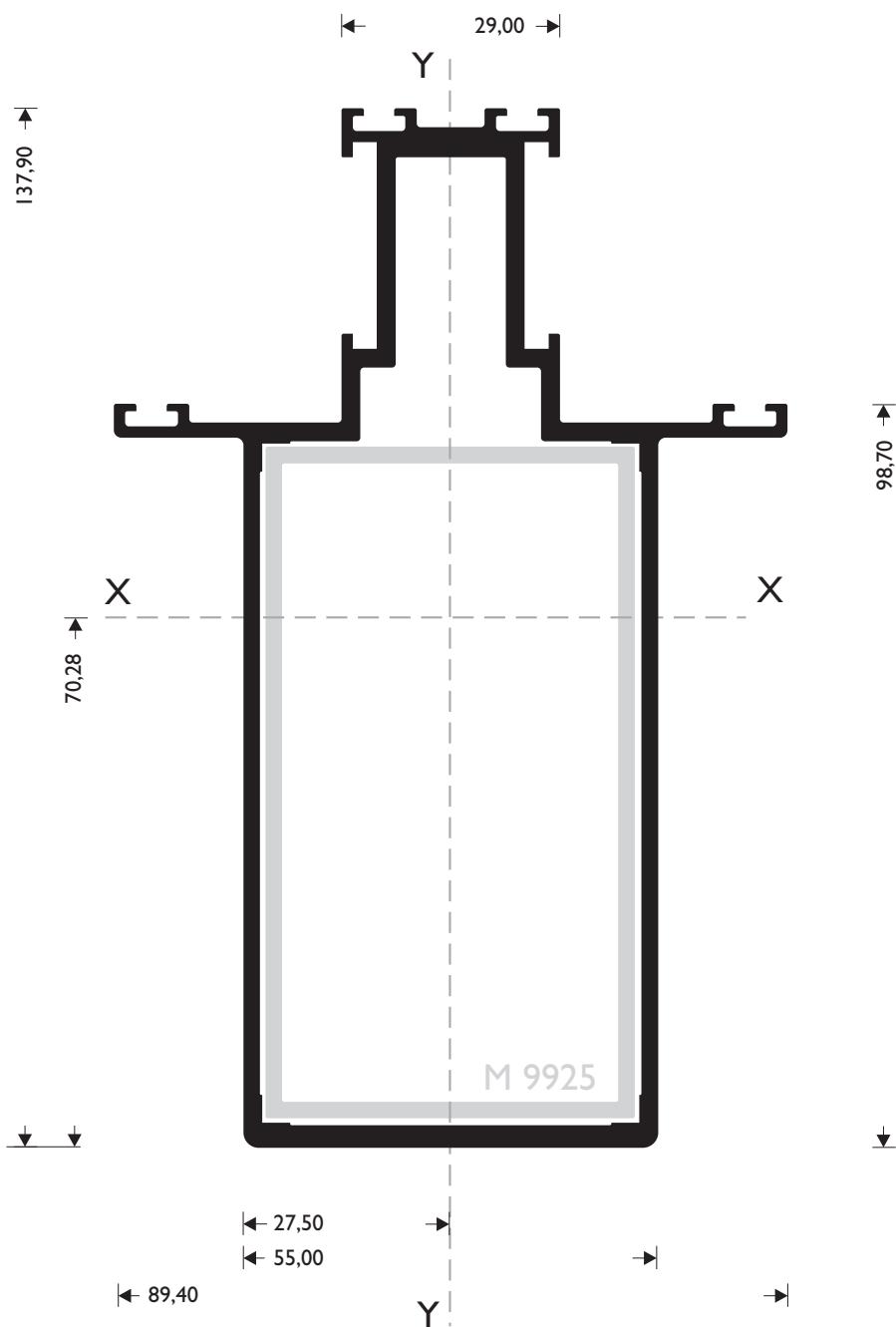


M 995 I

W = 2850 gr/m

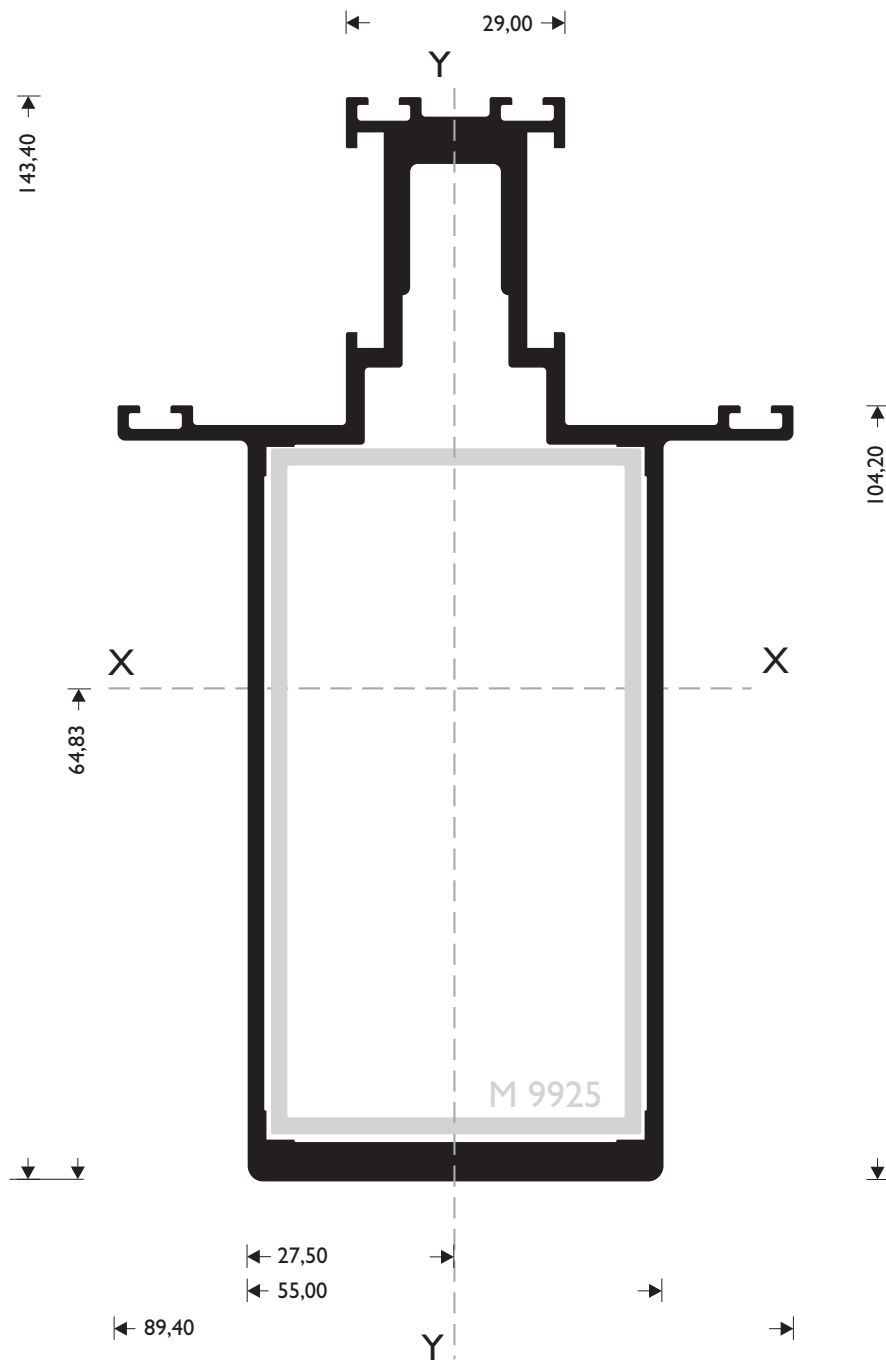
I_x = 222,41 cm⁴

J_y = 49,81 cm⁴



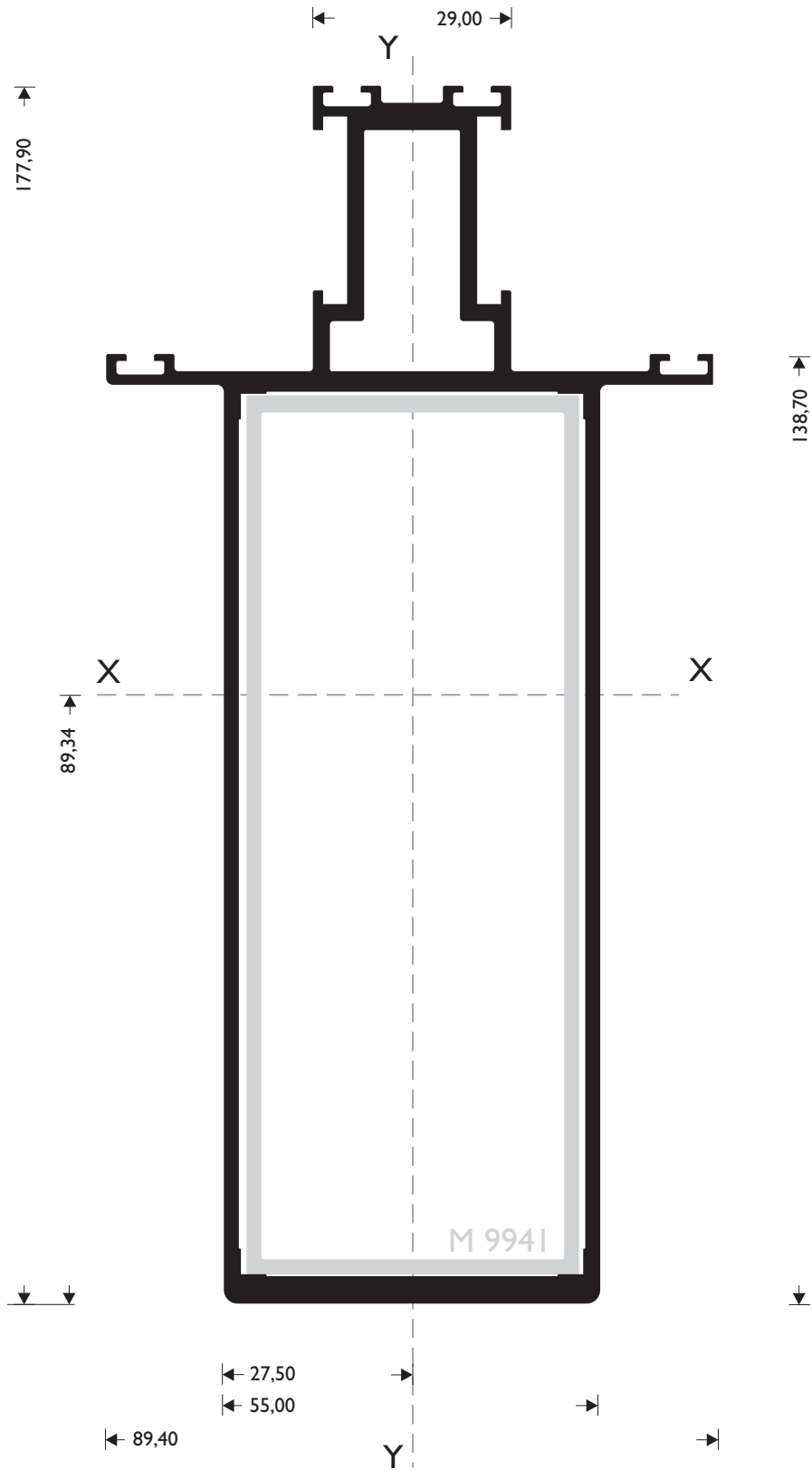
M 9959

$W = 3823 \text{ gr/m}$
 $I_x = 383,95 \text{ cm}^4$
 $I_y = 57,10 \text{ cm}^4$



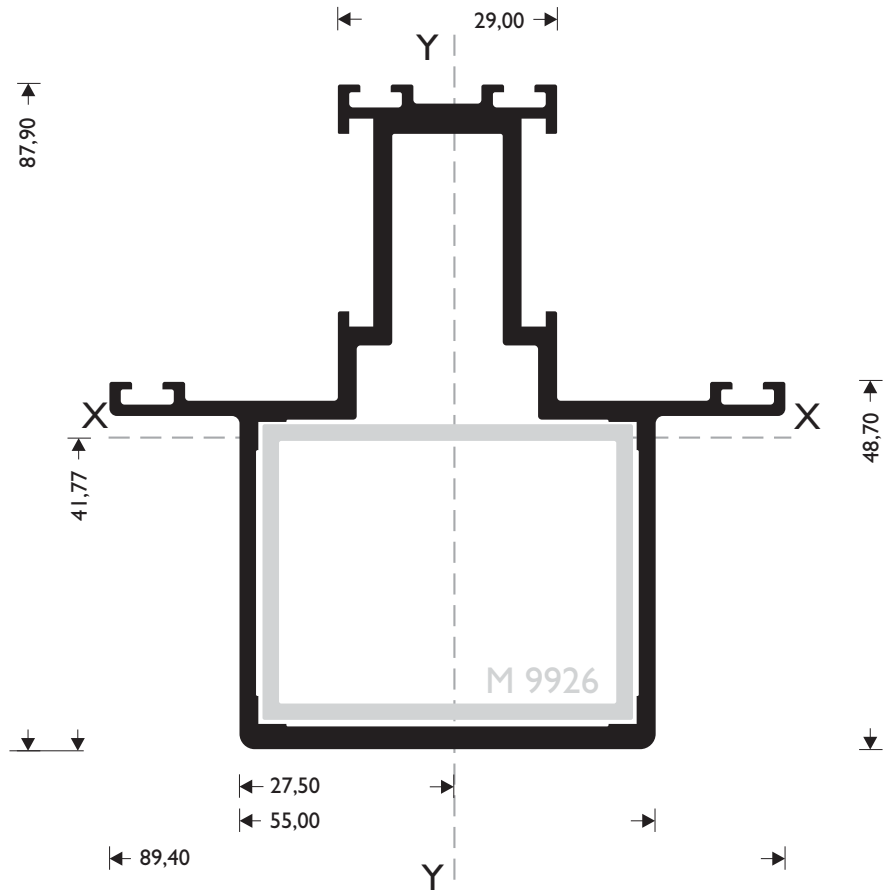
M 9956

$W = 3692 \text{ gr/m}$
 $I_x = 493,37 \text{ cm}^4$
 $J_y = 64,00 \text{ cm}^4$



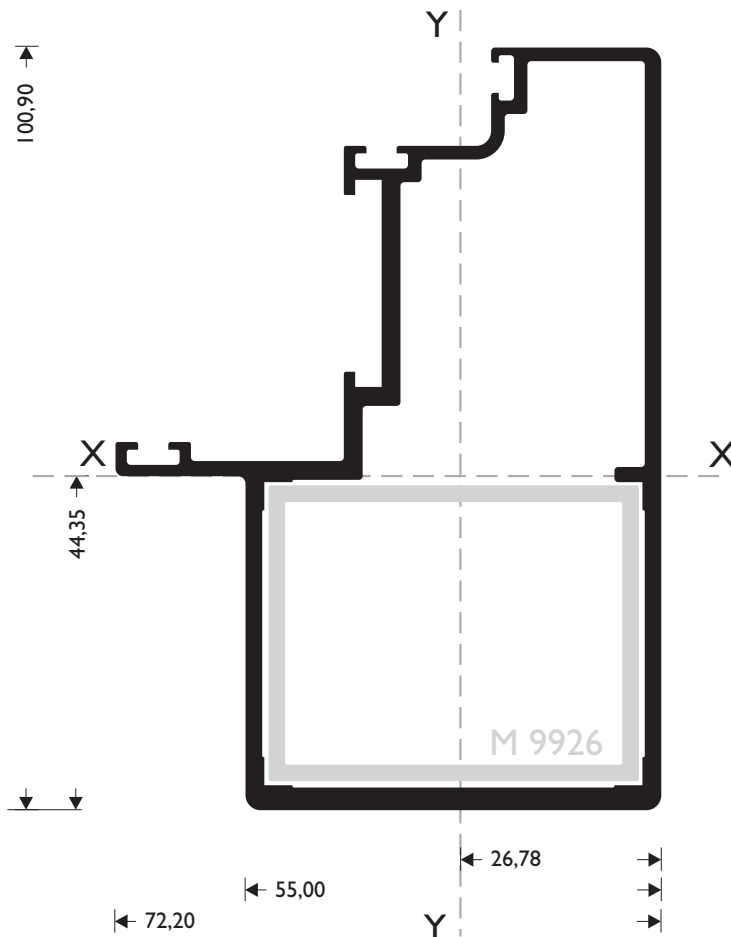
M 9952

W = 2255 gr/m
 $I_x = 66,82 \text{ cm}^4$
 $J_y = 34,30 \text{ cm}^4$



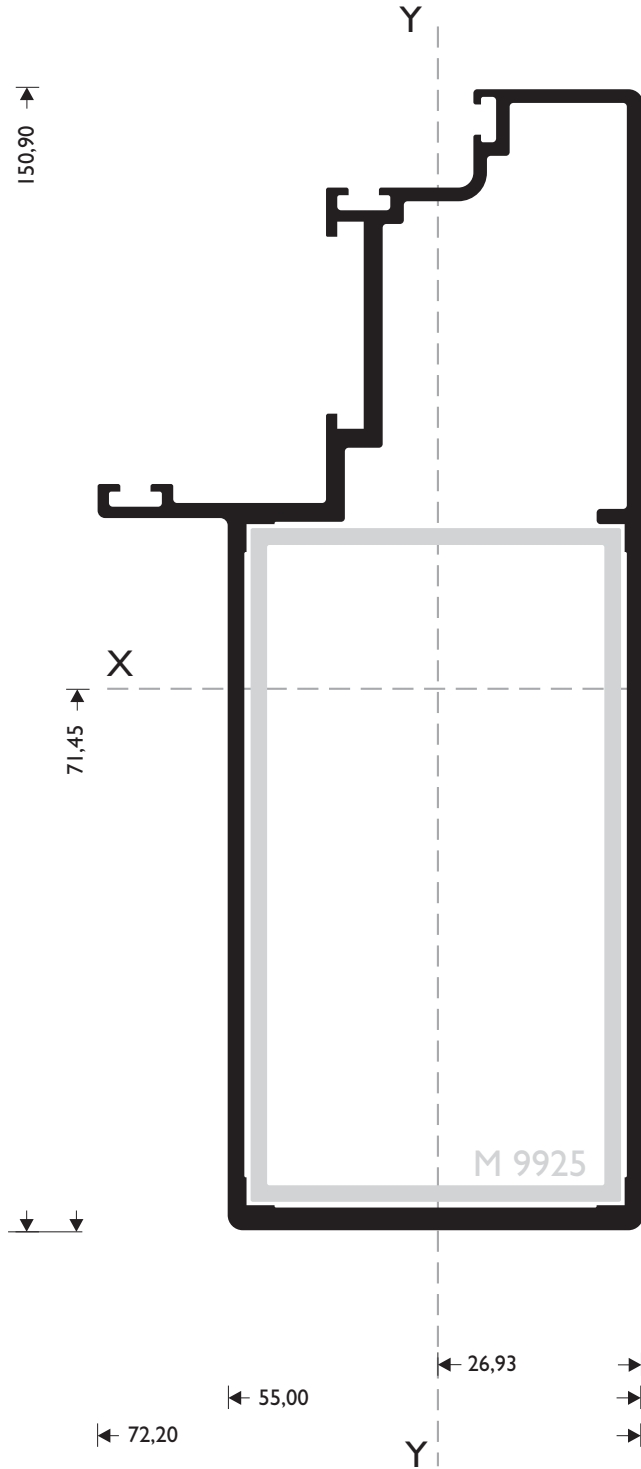
M 109954

W = 2117 gr/m
 $I_x = 85,16 \text{ cm}^4$
 $J_y = 35,91 \text{ cm}^4$



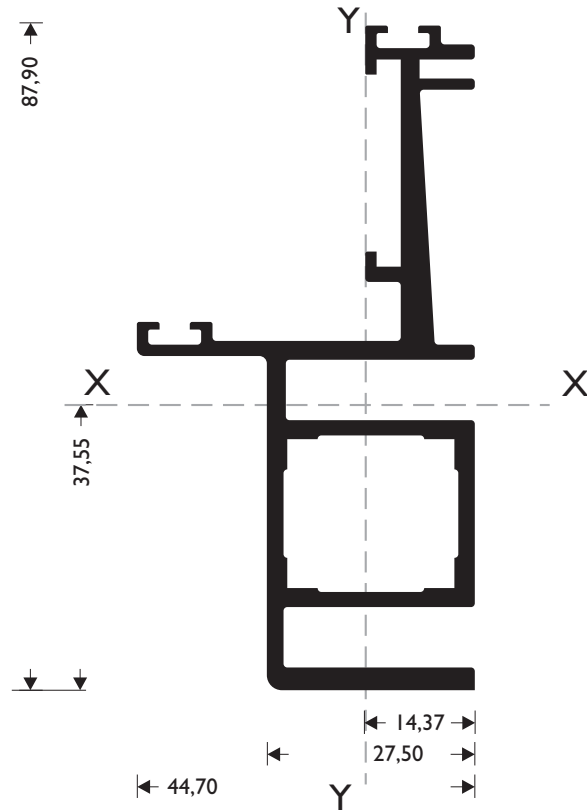
M 9954

W = 2711 gr/m
I_x = 248,38 cm⁴
J_y = 50,63 cm⁴



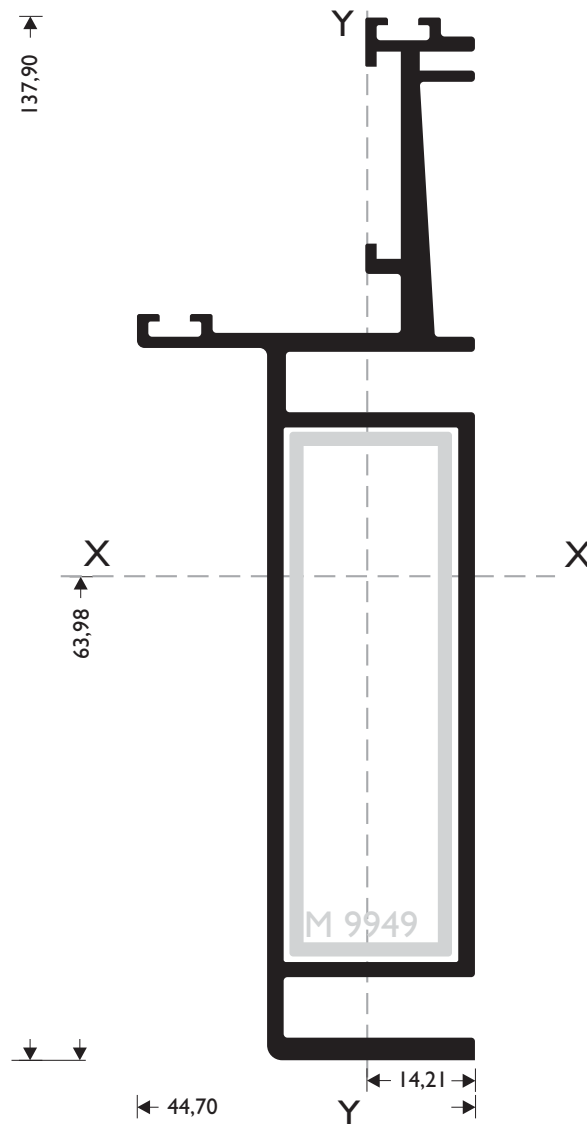
M 109953

W = 1710 gr/m⁴
 I_x = 39,78 cm⁴
 J_y = 6,83 cm⁴

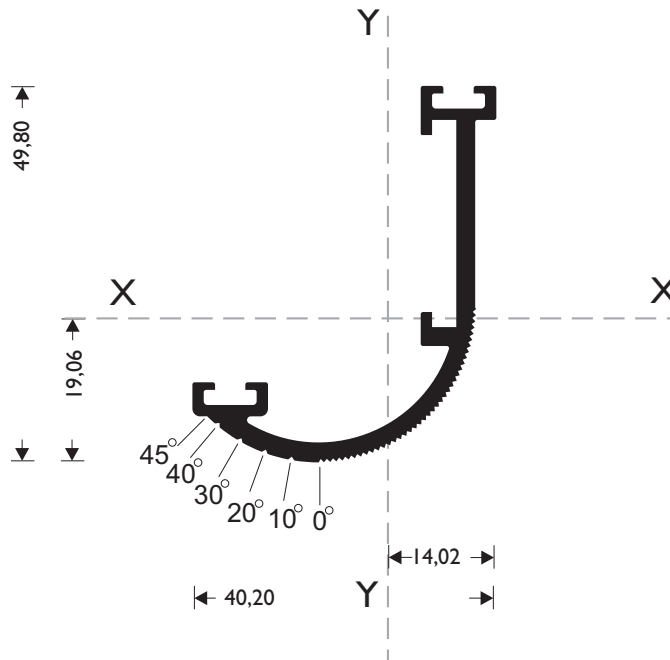


M 9953

W = 2304 gr/m⁴
 I_x = 147,55 cm⁴
 J_y = 10,29 cm⁴



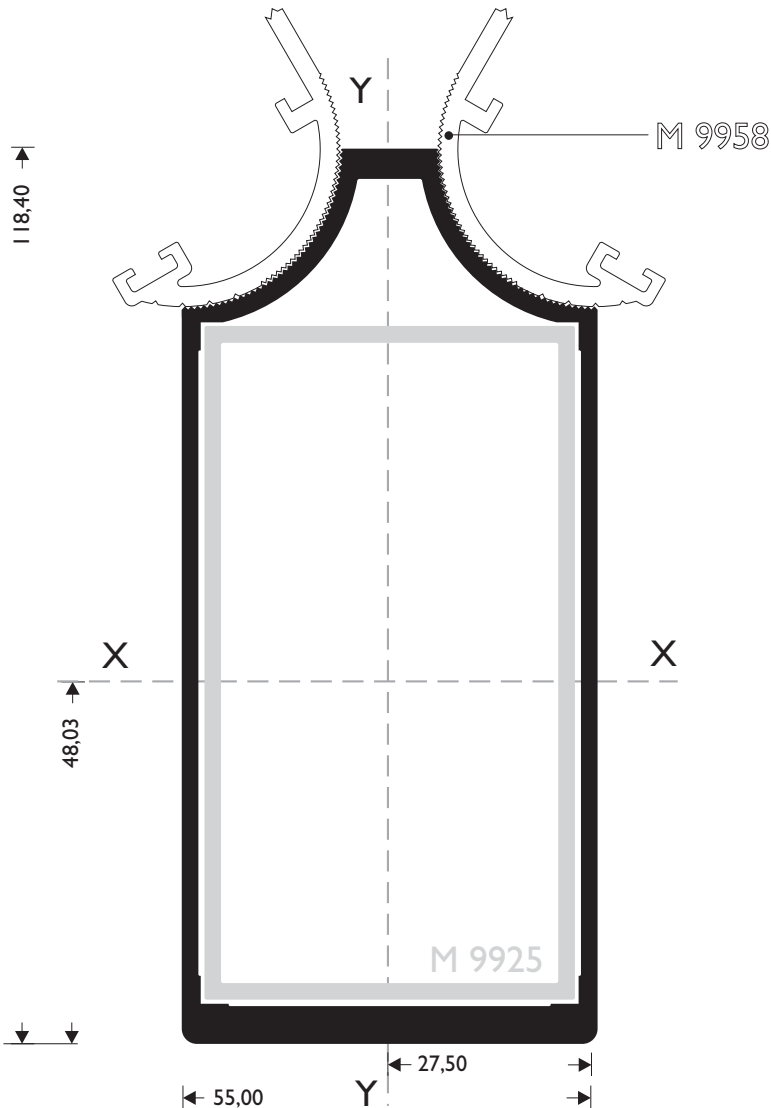
90° - 175°



M 9958

W = 652 gr/m
 $I_x = 8,28 \text{ cm}^4$
 $J_y = 1,43 \text{ cm}^4$

90° - 175°

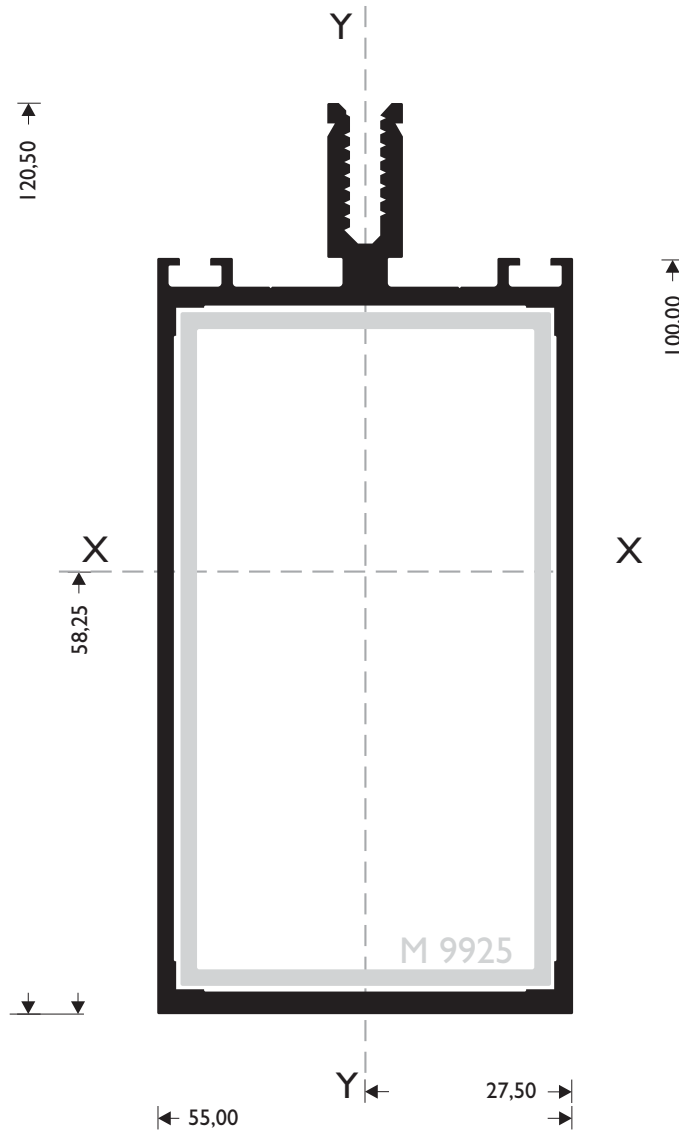


M 9945

W = 2363 gr/m
 $I_x = 154,19 \text{ cm}^4$
 $J_y = 38,18 \text{ cm}^4$

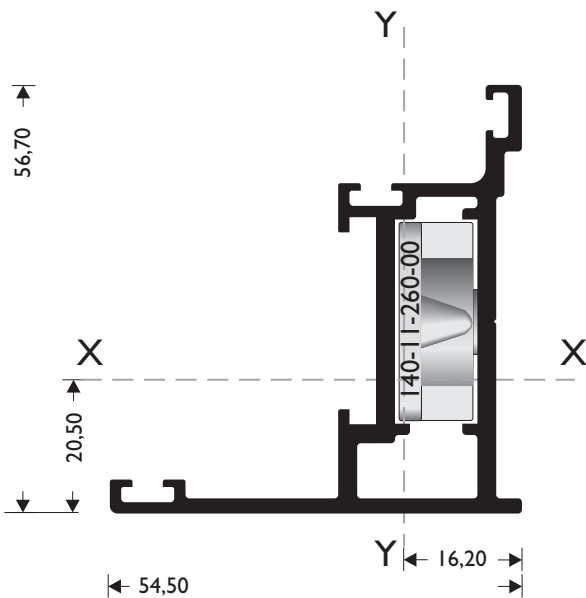
M 9901

W = 2392 gr/m
 $I_x = 145,68 \text{ cm}^4$
 $J_y = 37,68 \text{ cm}^4$



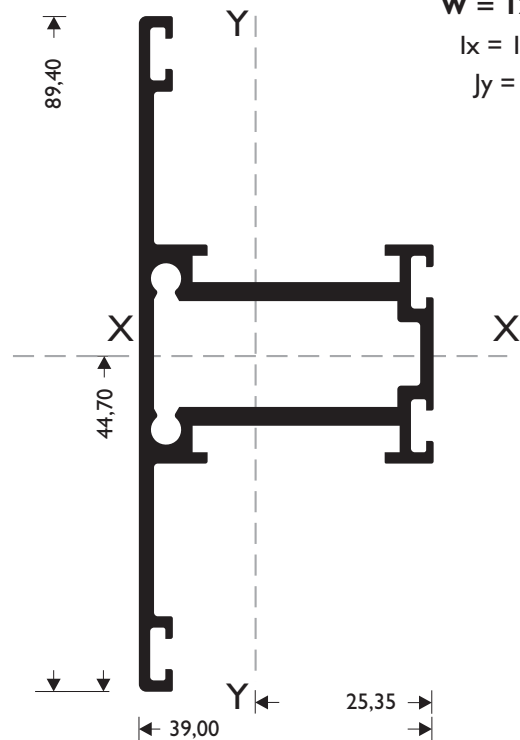
M 10982

W = 1145 gr/m
 $I_x = 12,79 \text{ cm}^4$
 $J_y = 7,31 \text{ cm}^4$



M 10983

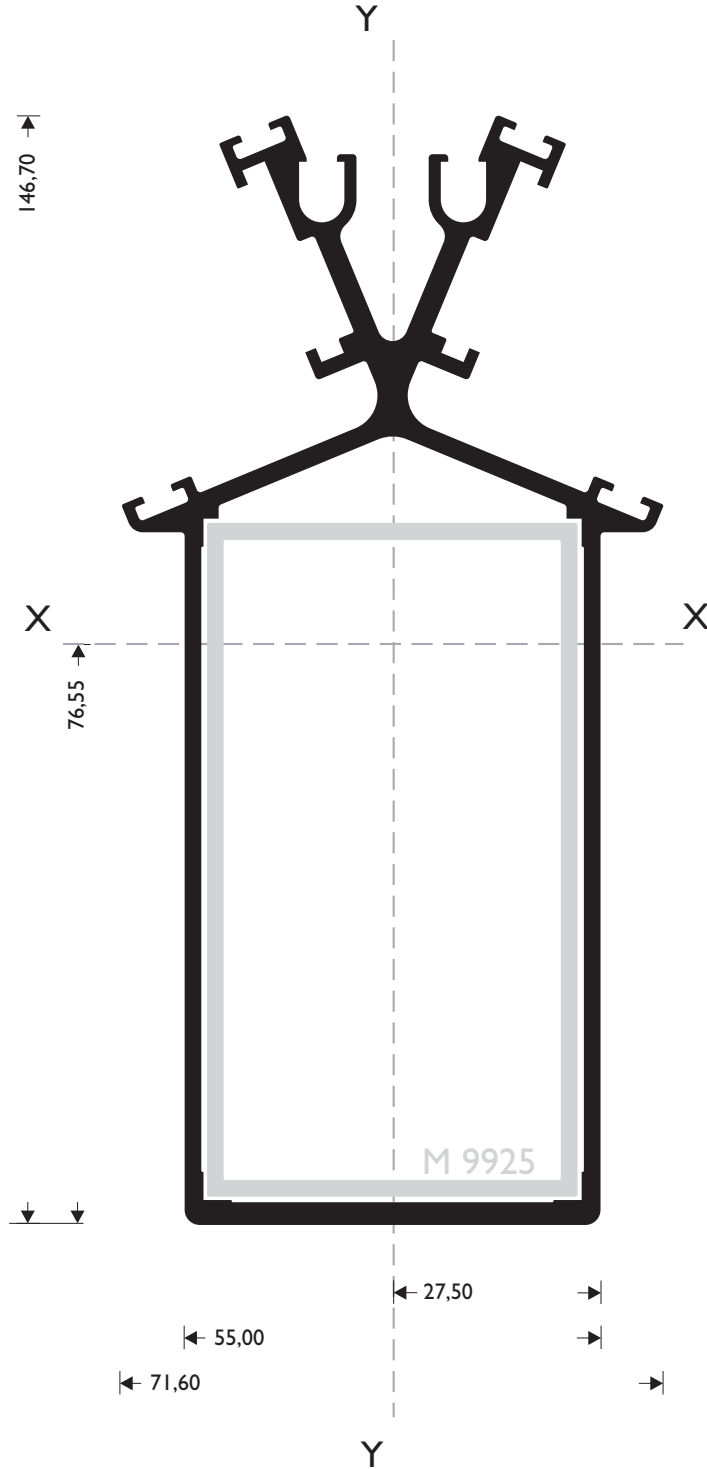
W = 1243 gr/m
 $I_x = 16,46 \text{ cm}^4$
 $J_y = 9,05 \text{ cm}^4$



M 9964

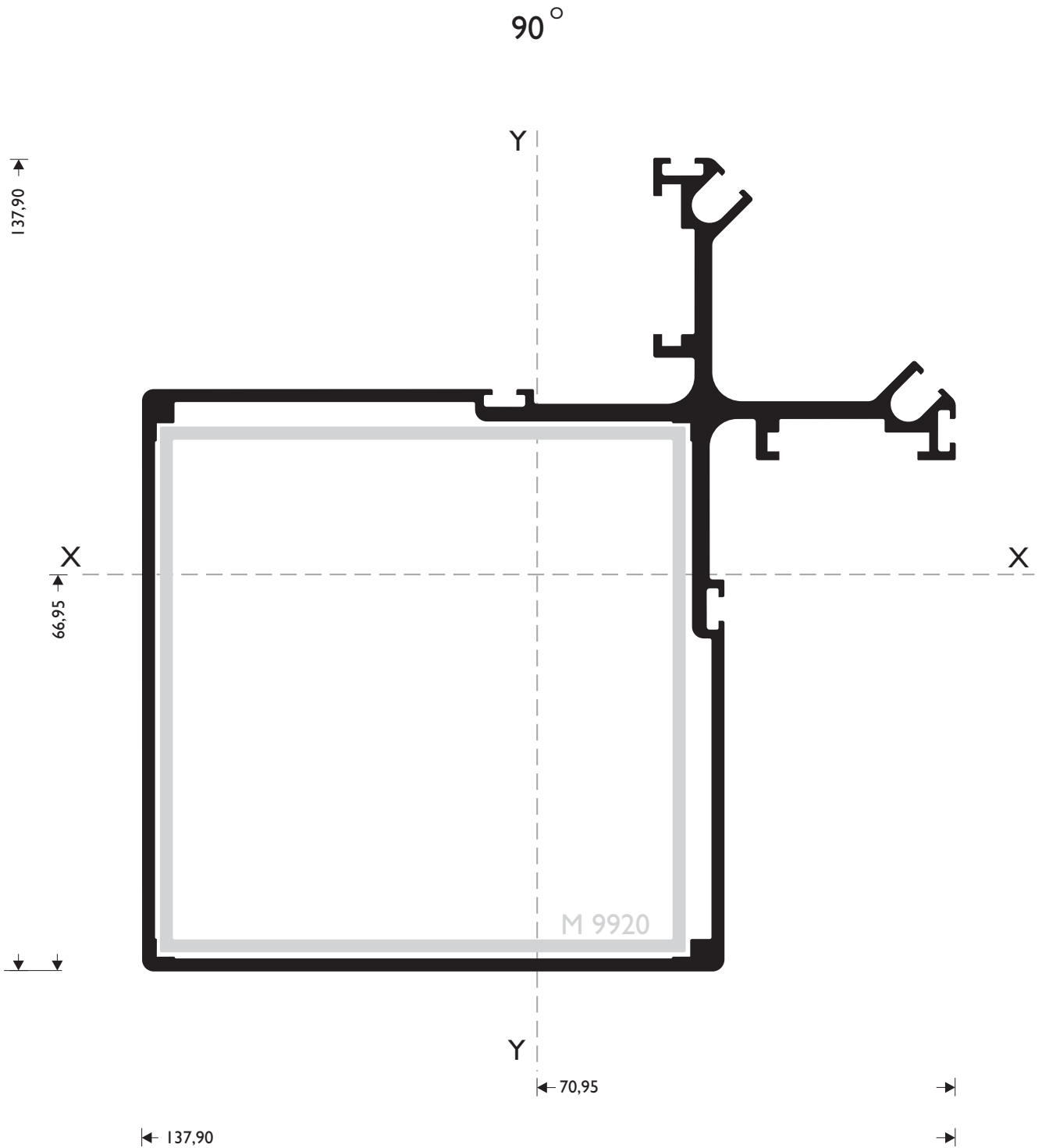
W = 3116 gr/m
 $I_x = 267,40 \text{ cm}^4$
 $J_y = 45,72 \text{ cm}^4$

135 °



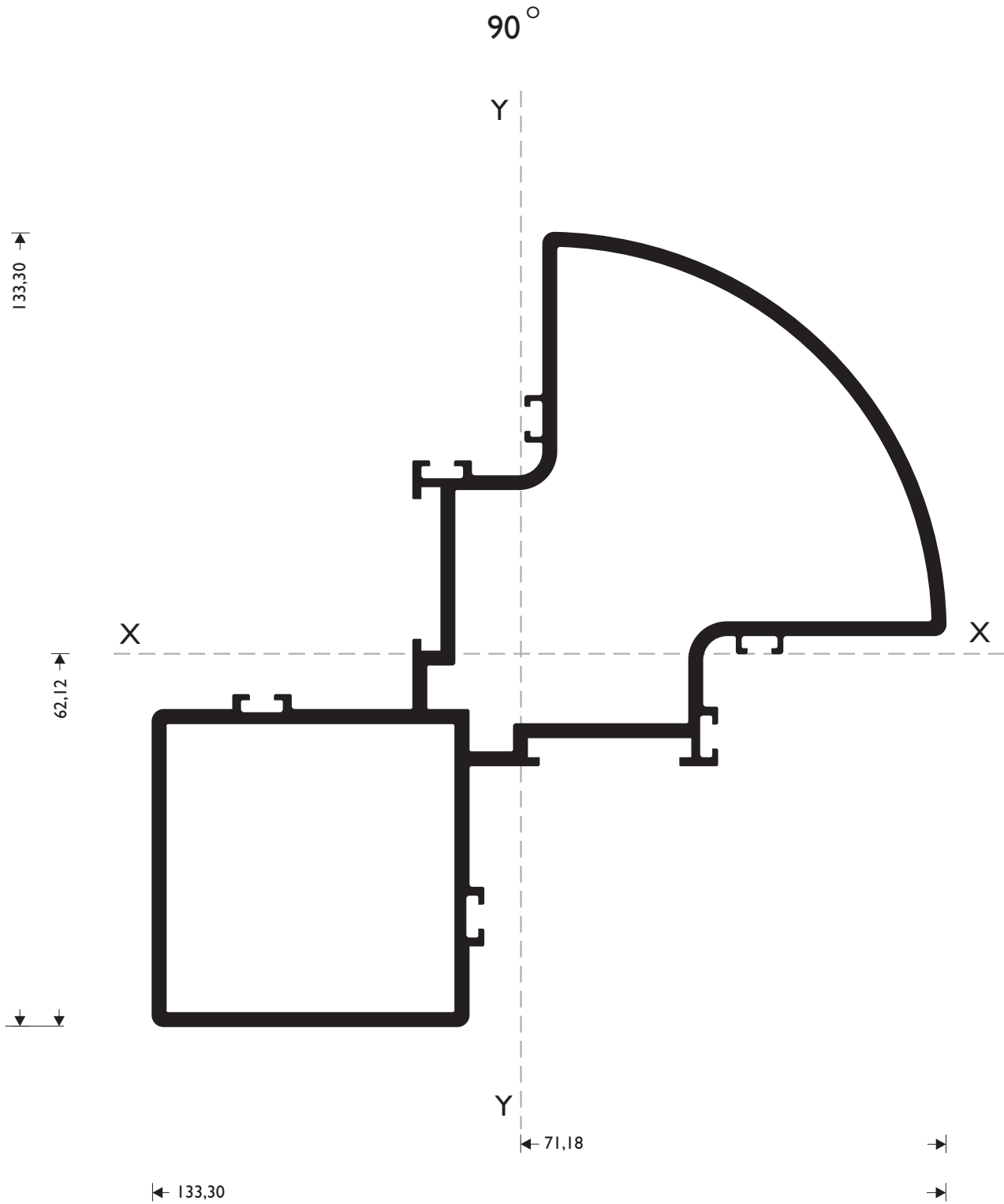
M 9963

W = 3552 gr/m
Ix = 231,51 cm⁴
Jy = 231,51 cm⁴



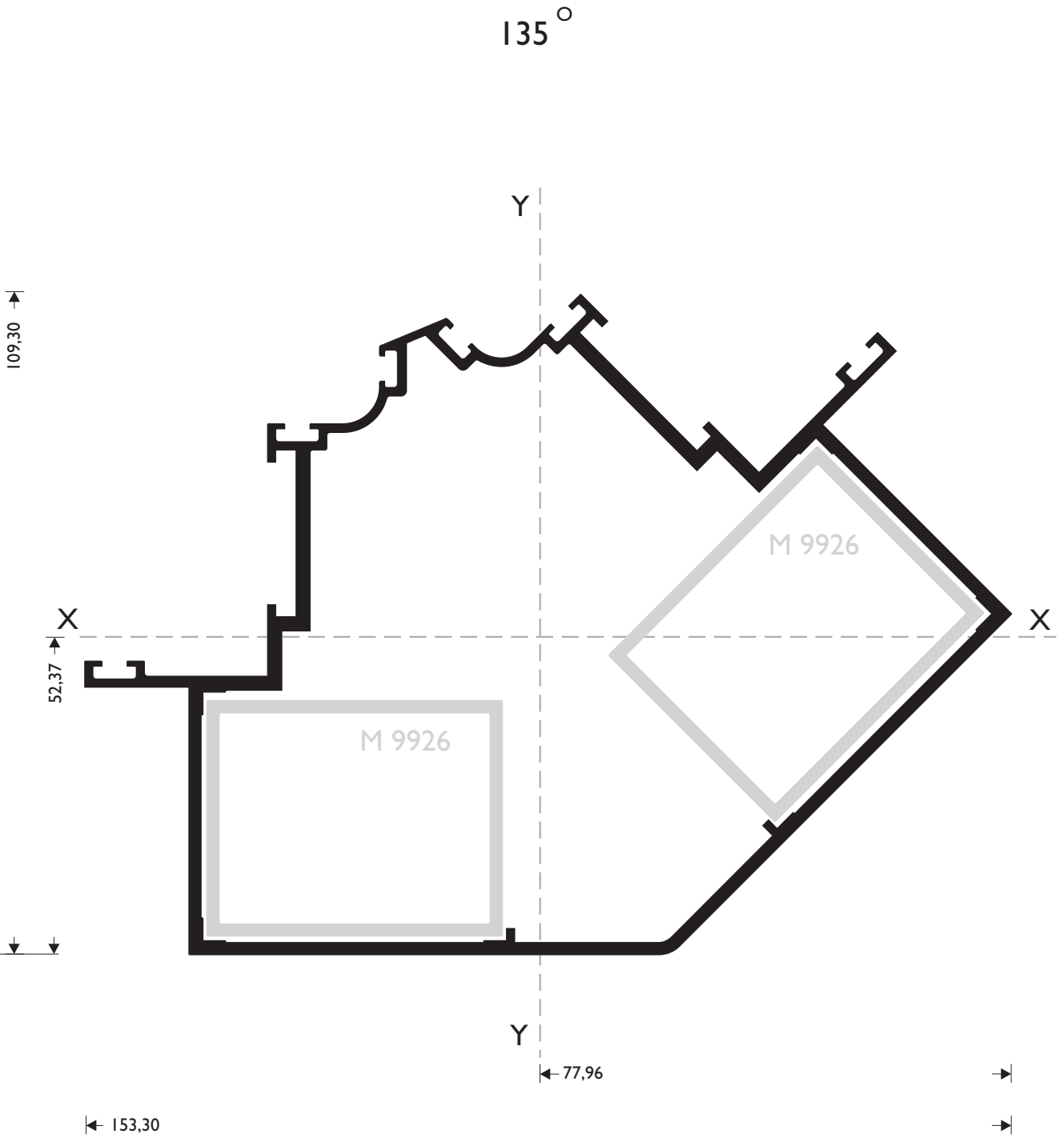
M 9966

W = 3581 gr/m
I_x = 188,60 cm⁴
J_y = 188,60 cm⁴



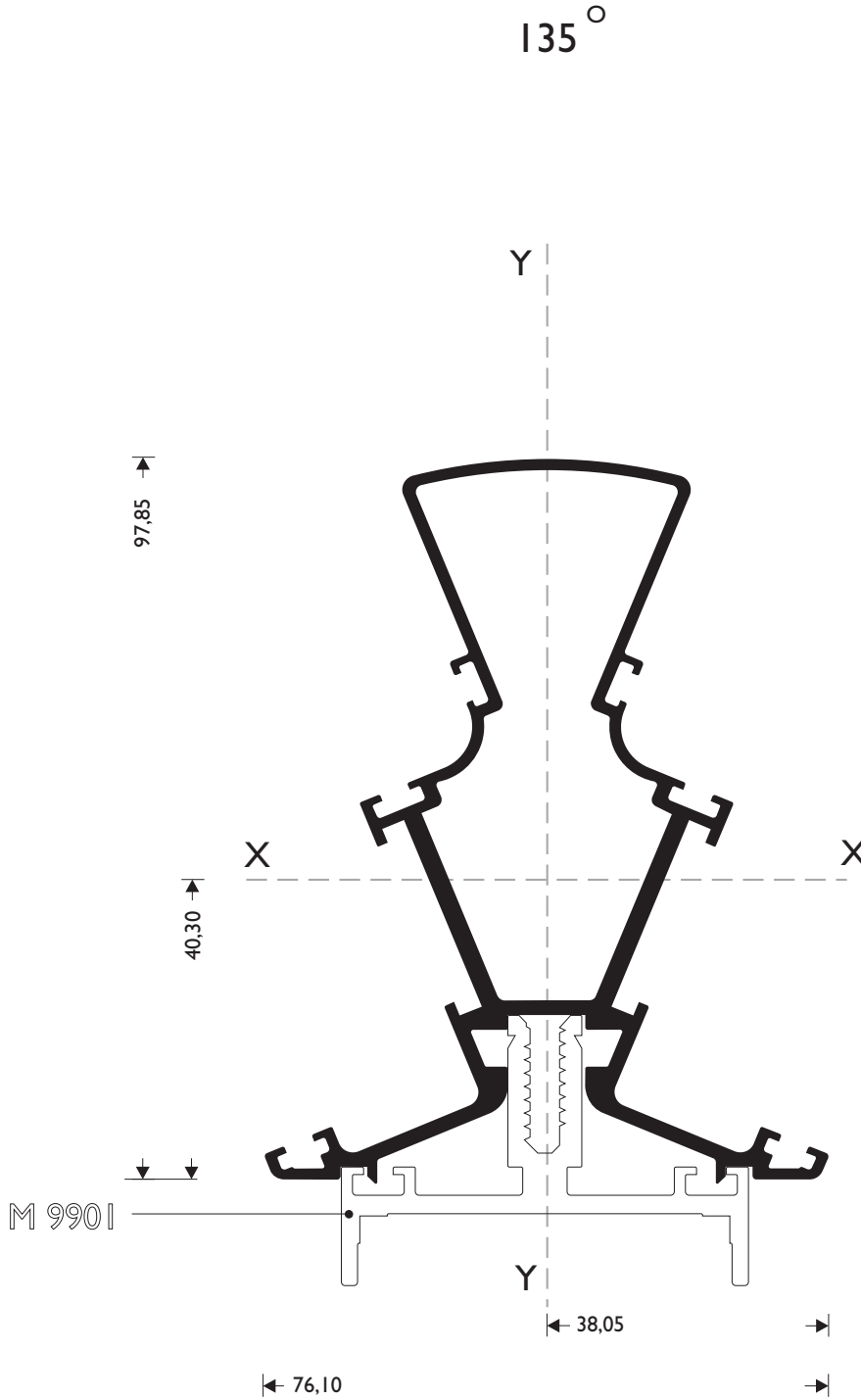
M 9967

W = 2918 gr/m
I_x = 134,97 cm⁴
I_y = 209,13 cm⁴



M 9965

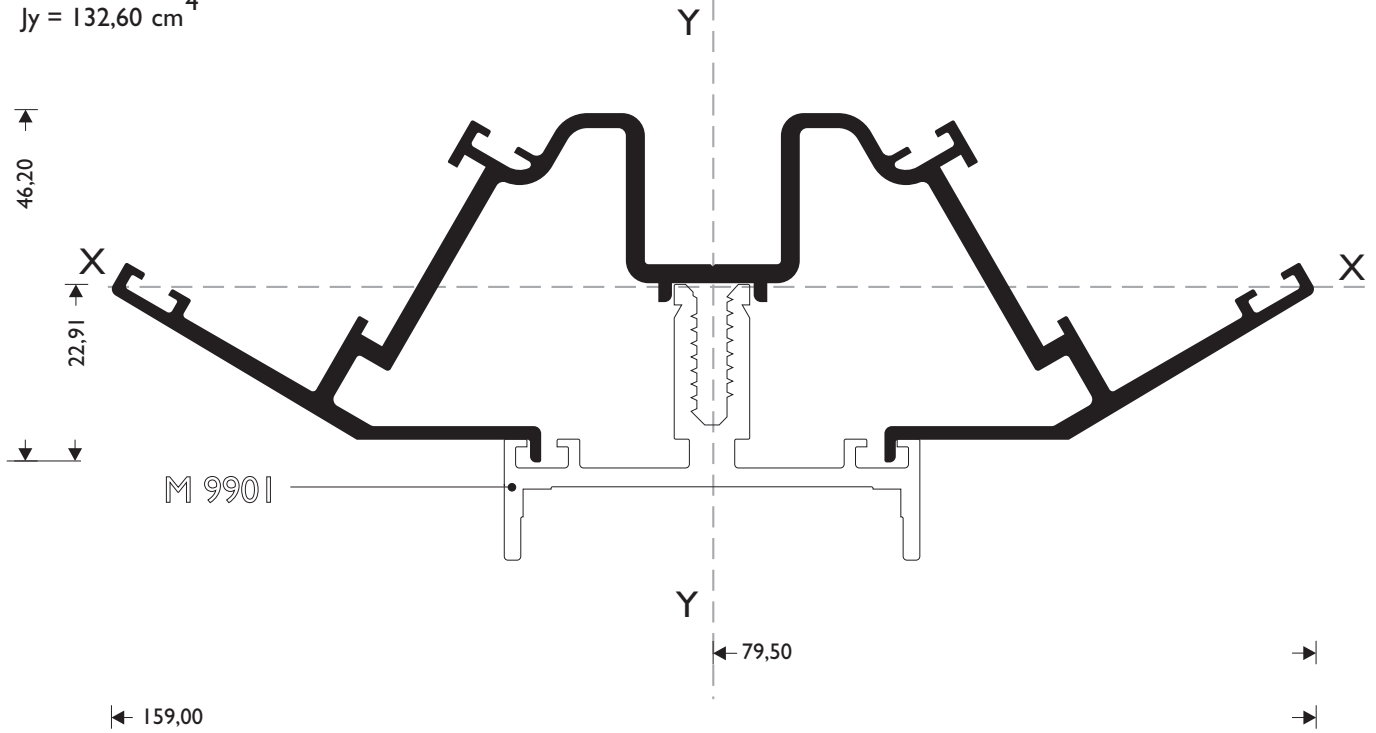
W = 1925 gr/m
I_x = 65,61 cm⁴
J_y = 18,79 cm⁴



M 9957

W = 2118 gr/m
 $I_x = 13,70 \text{ cm}^4$
 $J_y = 132,60 \text{ cm}^4$

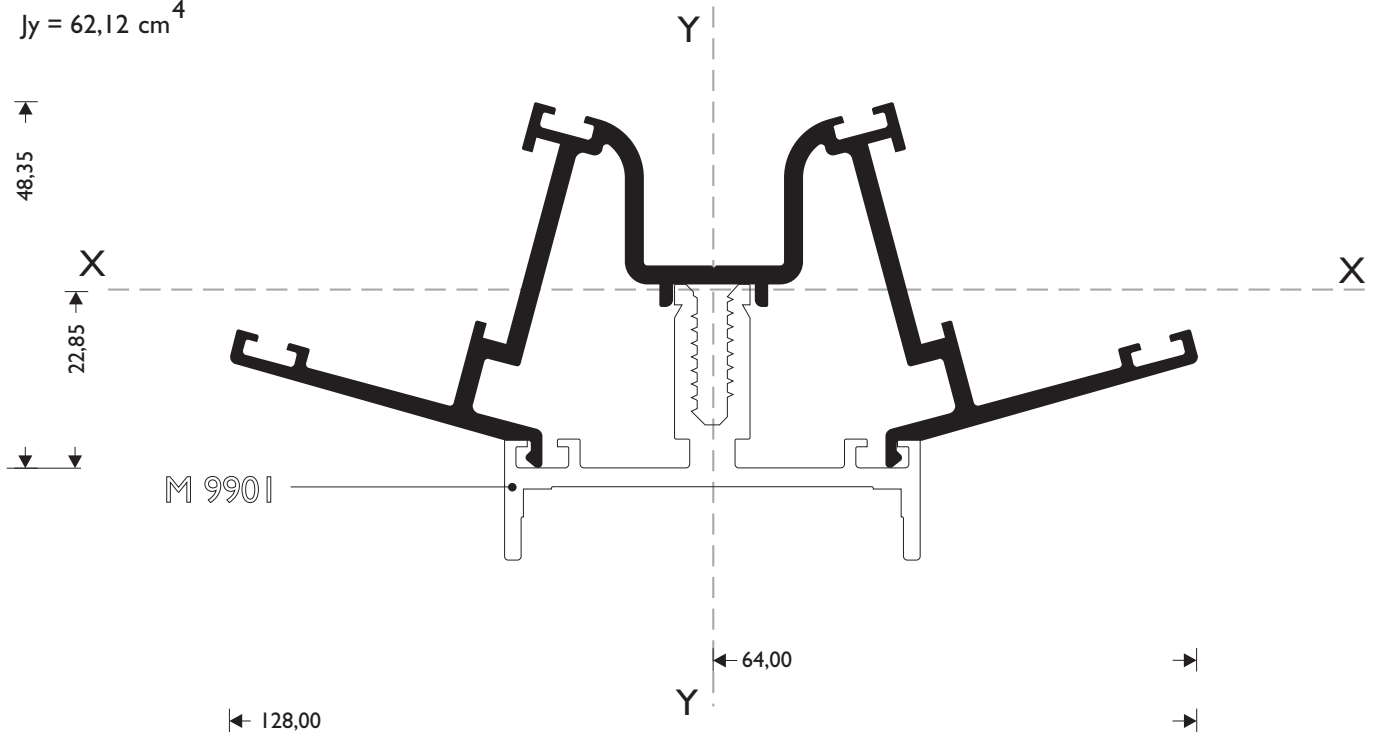
120°



M 9977

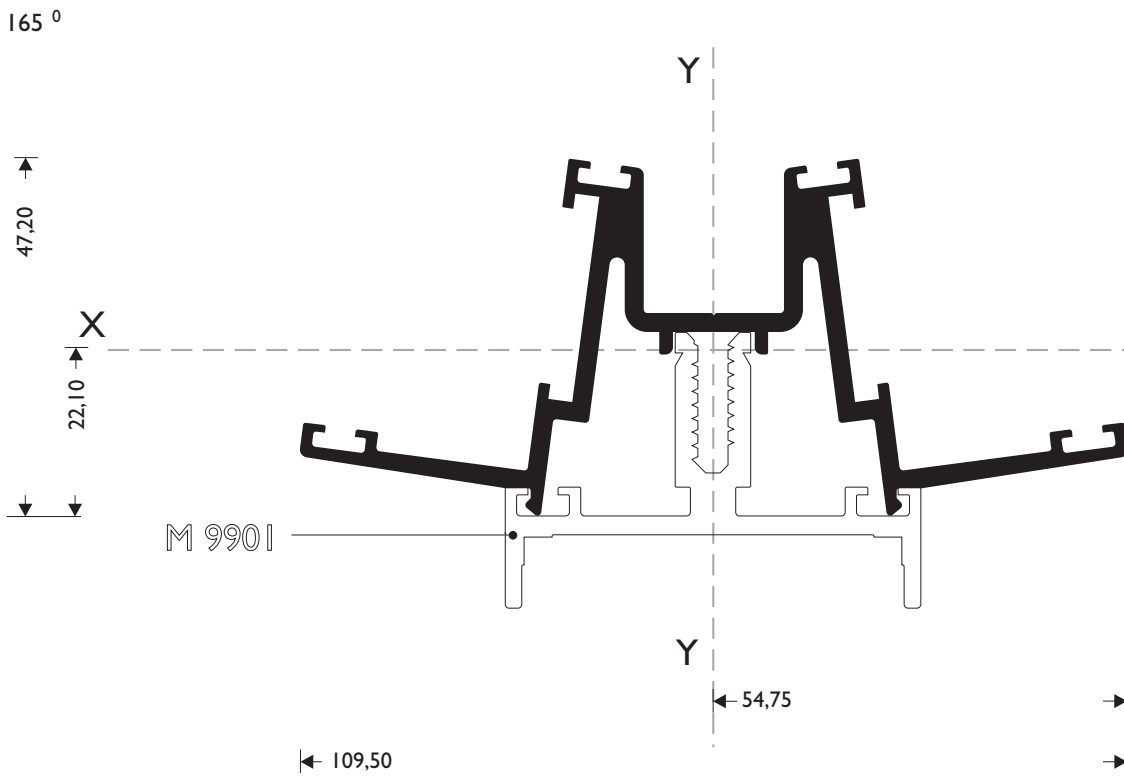
W = 1779 gr/m
 $I_x = 11,42 \text{ cm}^4$
 $J_y = 62,12 \text{ cm}^4$

150°



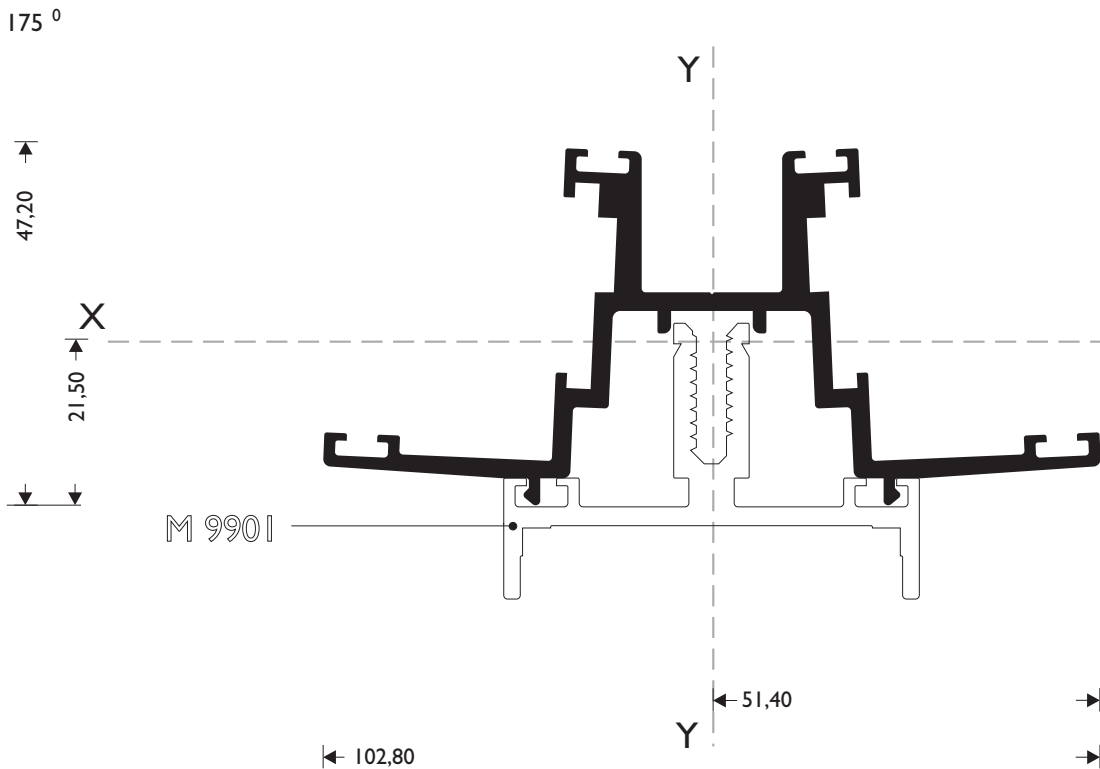
M 9976

W = 1666 gr/m
 $I_x = 11,41 \text{ cm}^4$
 $J_y = 37,31 \text{ cm}^4$



M 109975

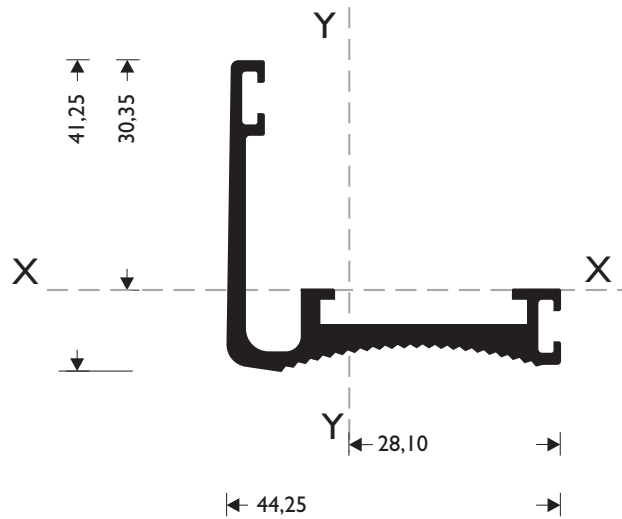
W = 1556 gr/m
 $I_x = 11,75 \text{ cm}^4$
 $J_y = 30,57 \text{ cm}^4$



M 1098I

W = 739 gr/m
 $I_x = 3,24 \text{ cm}^4$
 $J_y = 6,01 \text{ cm}^4$

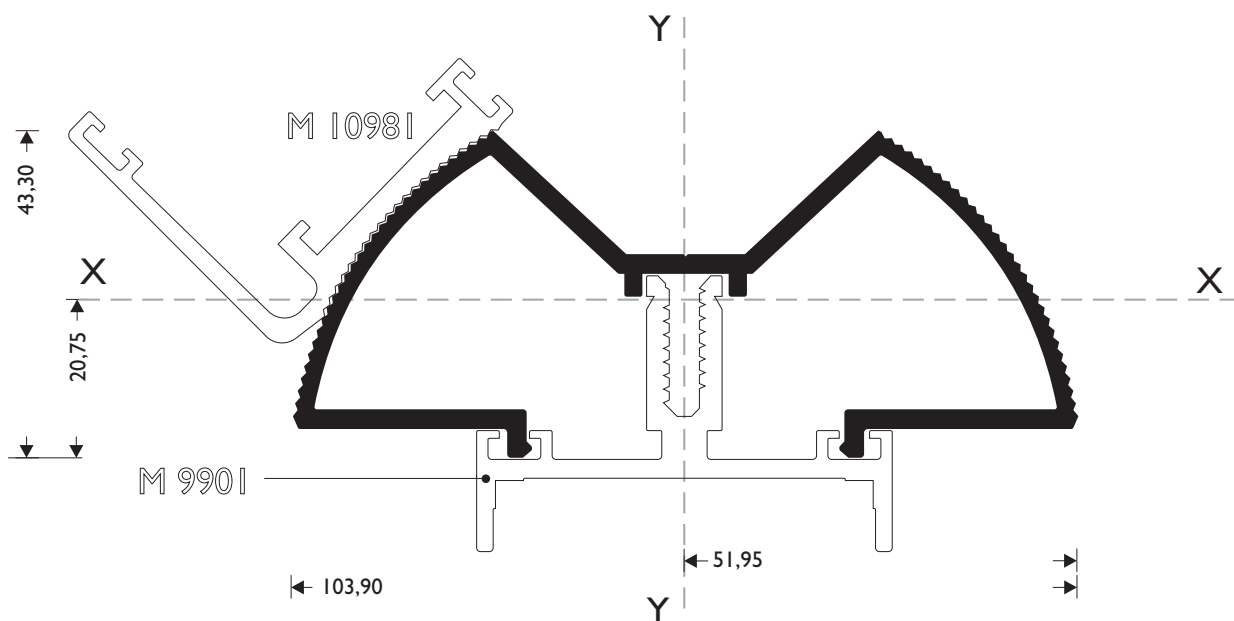
95° - 120°



M 10980

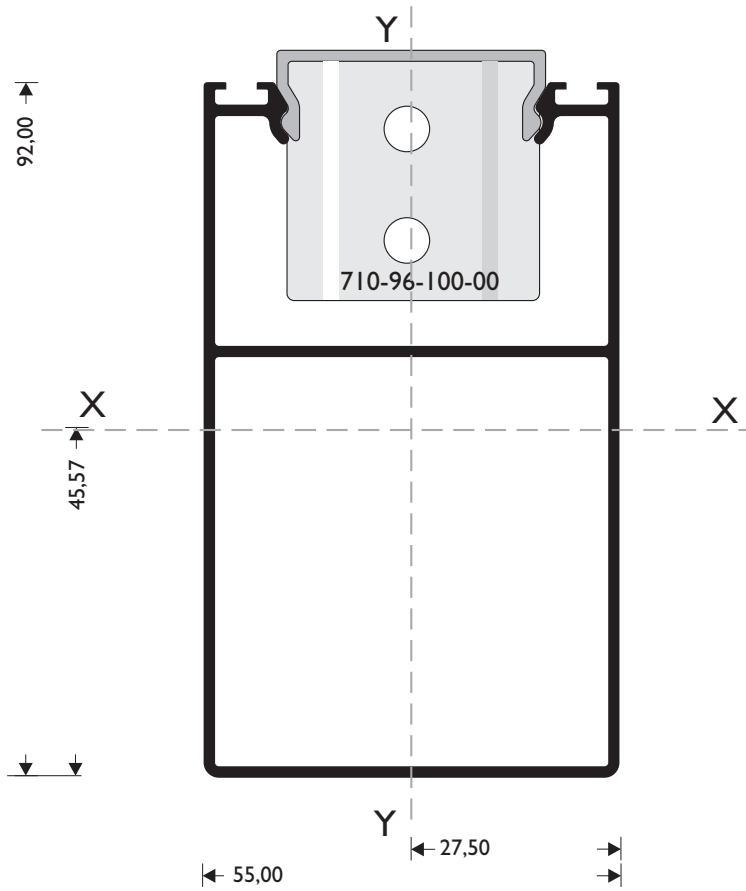
W = 1536 gr/m
 $I_x = 9,82 \text{ cm}^4$
 $J_y = 62,63 \text{ cm}^4$

95° - 120°



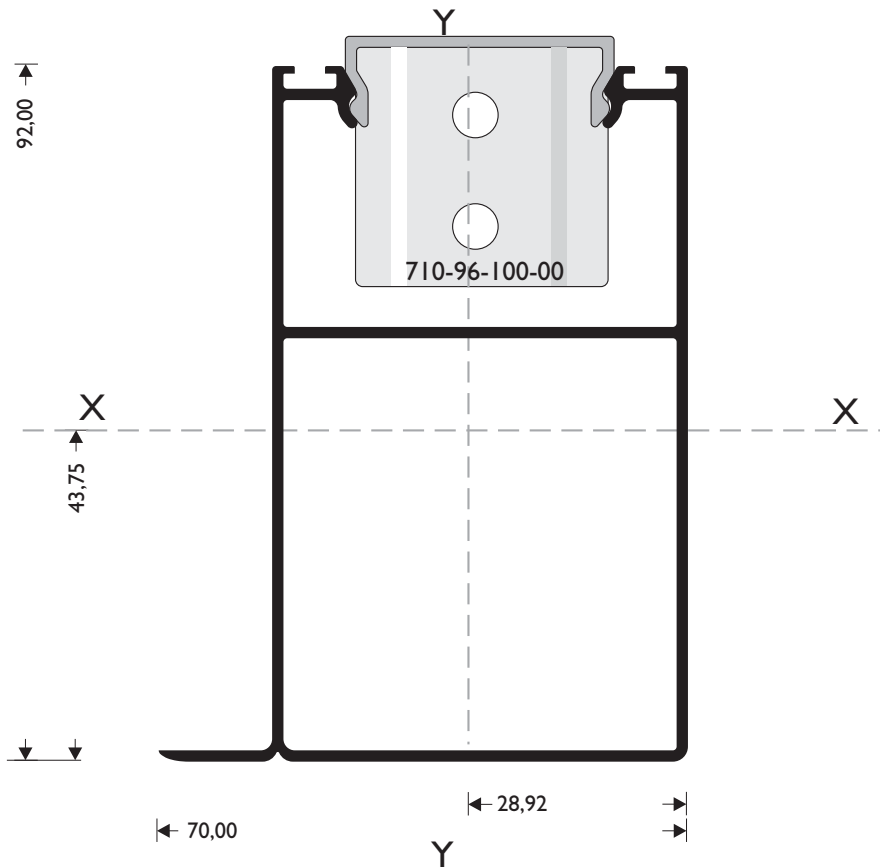
M 9974

W = 1316 gr/m
 $I_x = 46,22 \text{ cm}^4$
 $J_y = 25,50 \text{ cm}^4$



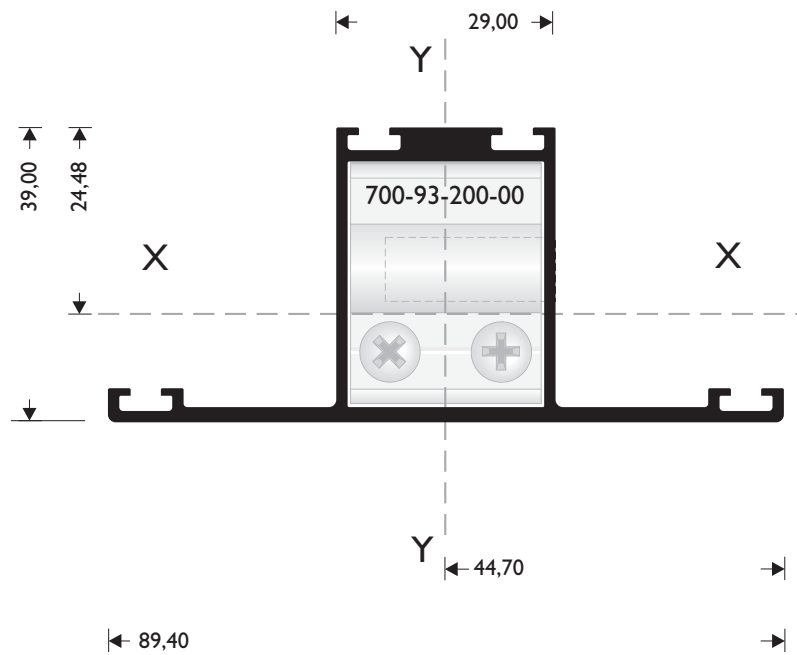
M 9973

W = 1373 gr/m
 $I_x = 50,75 \text{ cm}^4$
 $J_y = 27,54 \text{ cm}^4$



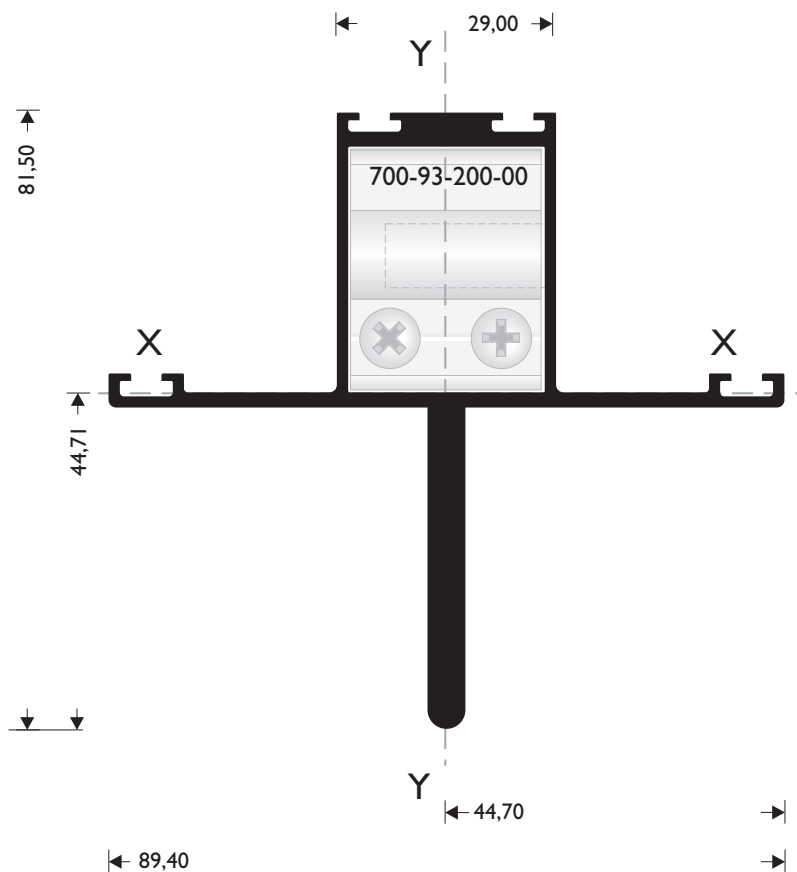
M 9955

W = 1056 gr/m
 $I_x = 9,35 \text{ cm}^4$
 $J_y = 16,60 \text{ cm}^4$



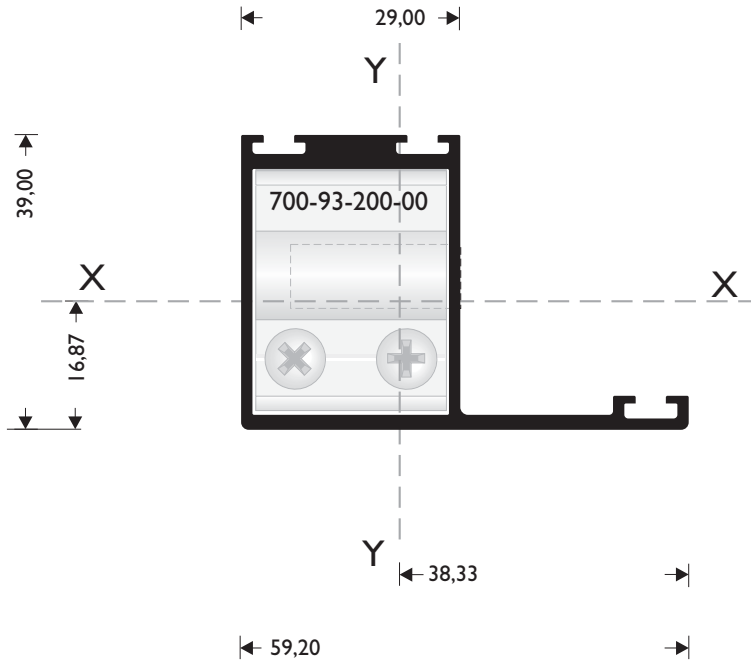
M 9975

W = 1626 gr/m
 $I_x = 29,76 \text{ cm}^4$
 $J_y = 16,64 \text{ cm}^4$



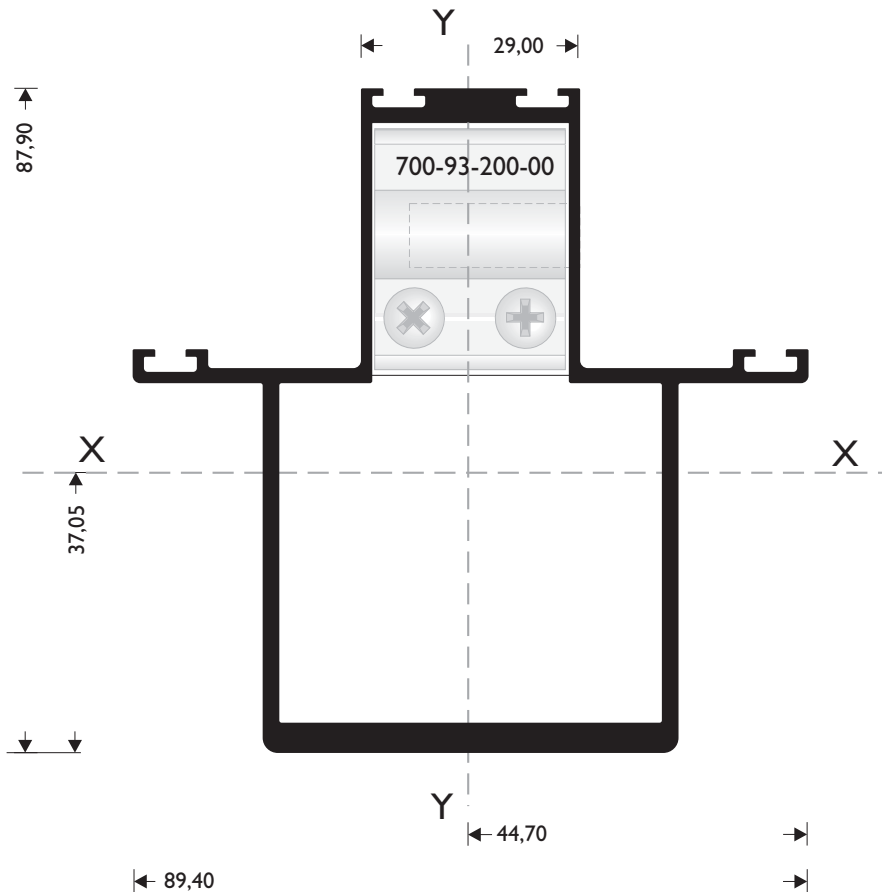
M 109955

W = 876 gr/m
 $I_x = 7,90 \text{ cm}^4$
 $J_y = 8,43 \text{ cm}^4$



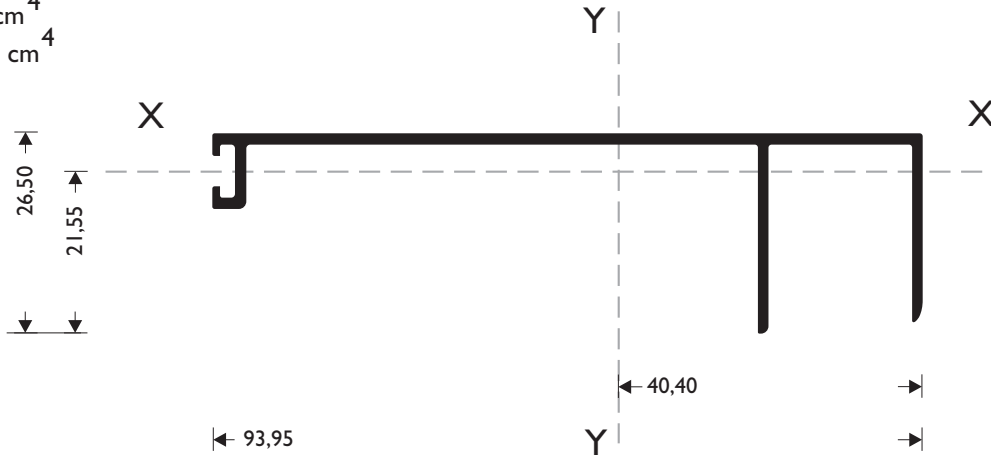
M 9950

W = 2013 gr/m
 $I_x = 67,15 \text{ cm}^4$
 $J_y = 35,09 \text{ cm}^4$



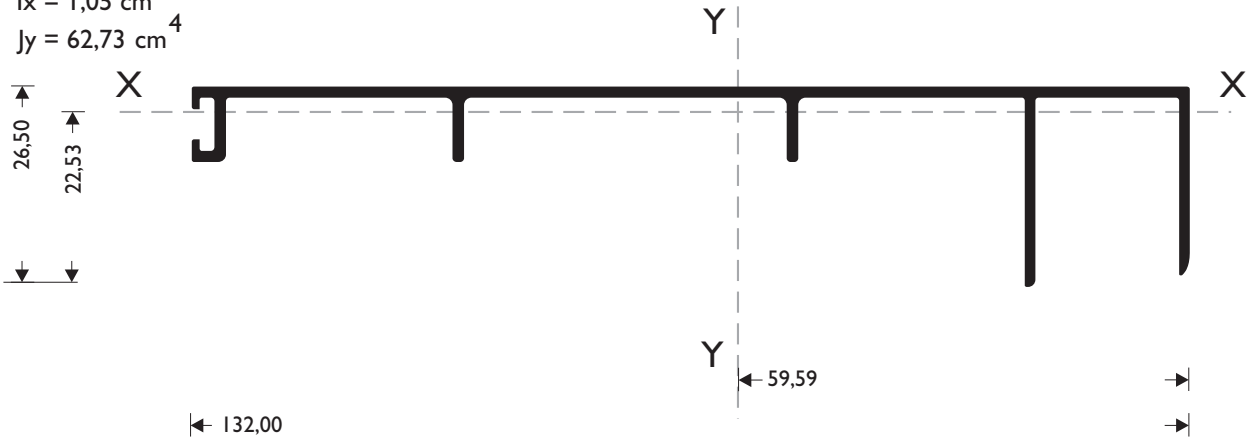
M 9971

W = 616 gr/m
 $I_x = 0,91 \text{ cm}^4$
 $J_y = 22,69 \text{ cm}^4$



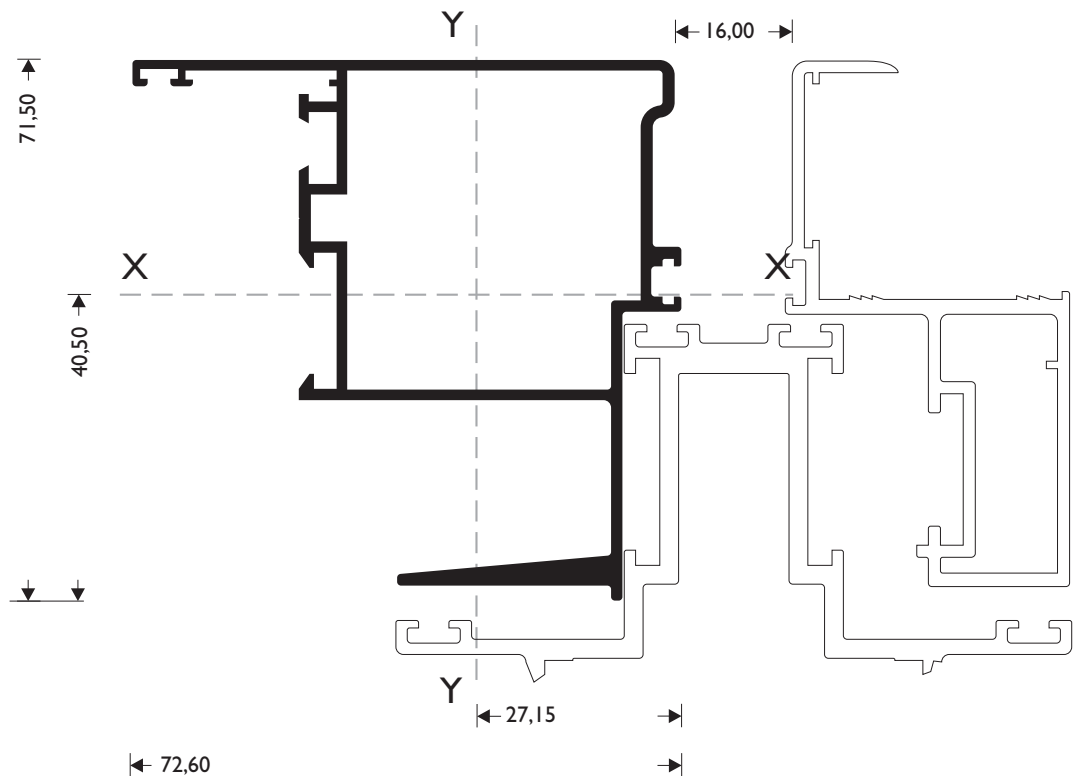
M 9972

W = 940 gr/m
 $I_x = 1,05 \text{ cm}^4$
 $J_y = 62,73 \text{ cm}^4$



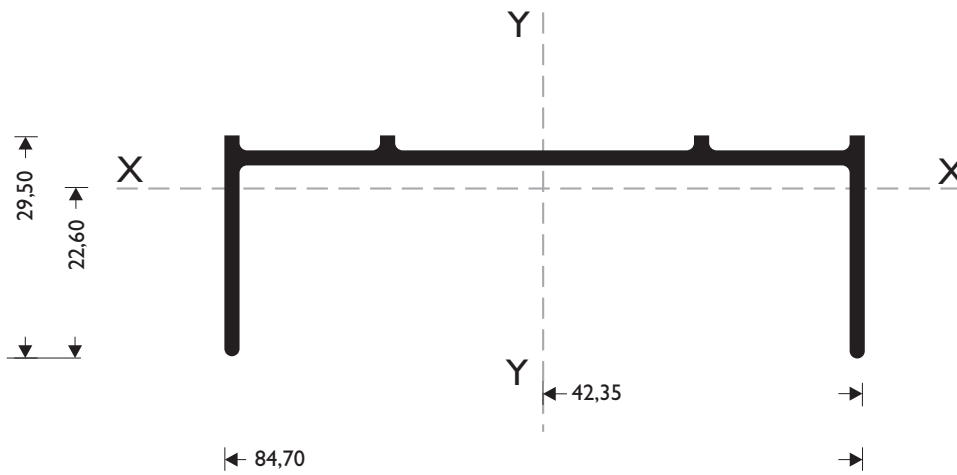
M 9888

W = 1257 gr/m
 $I_x = 28,43 \text{ cm}^4$
 $J_y = 17,40 \text{ cm}^4$



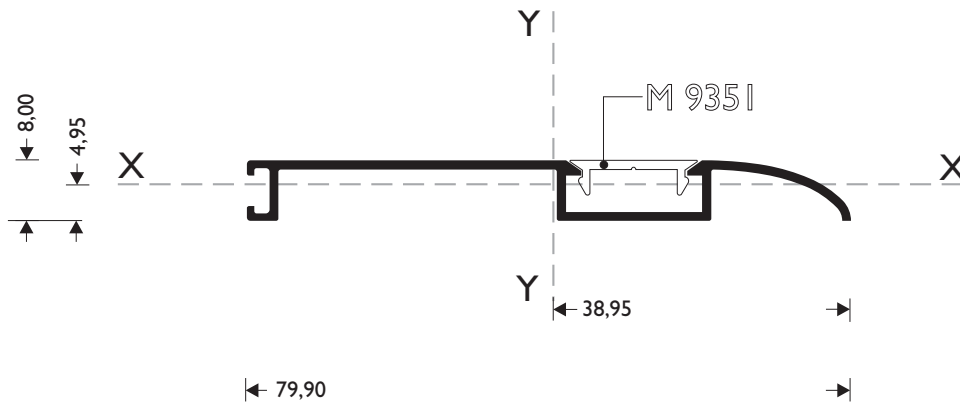
M 9969

W = 780 gr/m
 $I_x = 1,83 \text{ cm}^4$
 $J_y = 29,33 \text{ cm}^4$



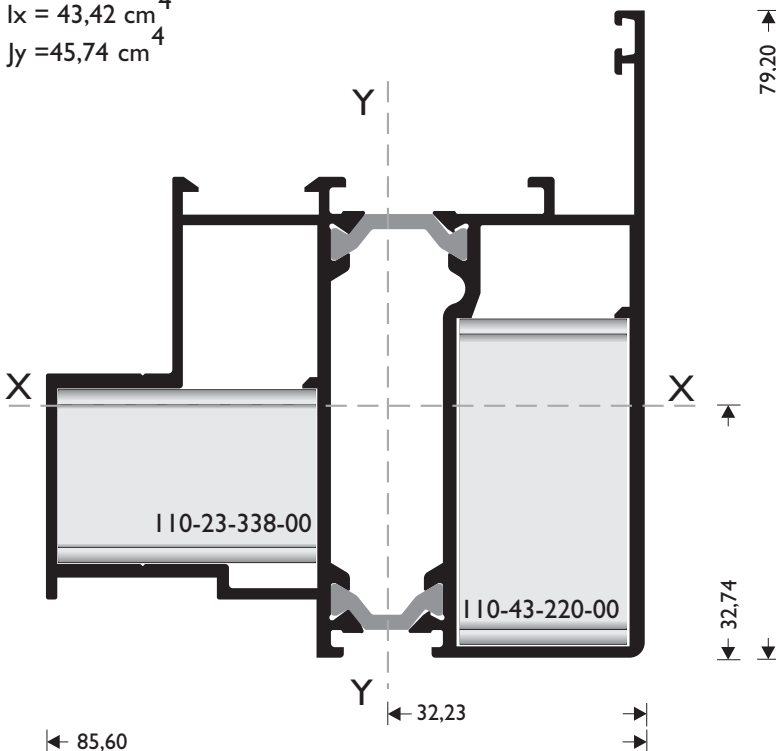
M 9960

W = 358 gr/m
 $I_x = 0,11 \text{ cm}^4$
 $J_y = 7,64 \text{ cm}^4$



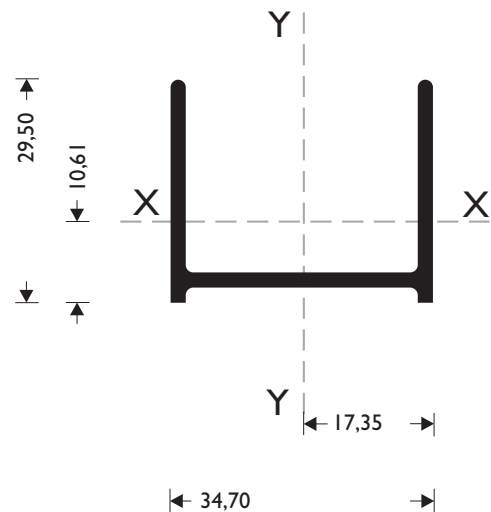
M 10903

W = 2121 gr/m
 $I_x = 43,42 \text{ cm}^4$
 $J_y = 45,74 \text{ cm}^4$



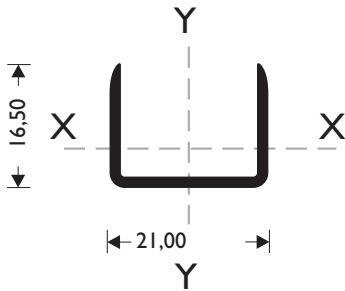
M 109969

W = 780 gr/m
 $I_x = 3,64 \text{ cm}^4$
 $J_y = 1,39 \text{ cm}^4$



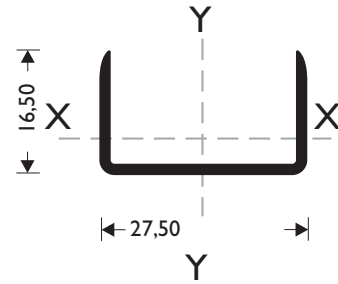
M 9968

W = 195 gr/m
 $I_x = 0,18 \text{ cm}^4$
 $I_y = 0,50 \text{ cm}^4$



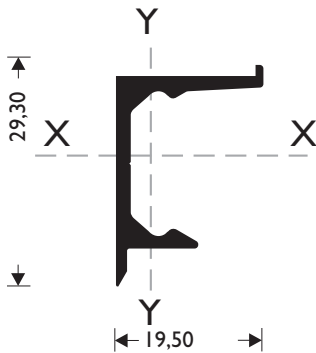
M 9948

W = 221 gr/m
 $I_x = 0,20 \text{ cm}^4$
 $I_y = 0,95 \text{ cm}^4$



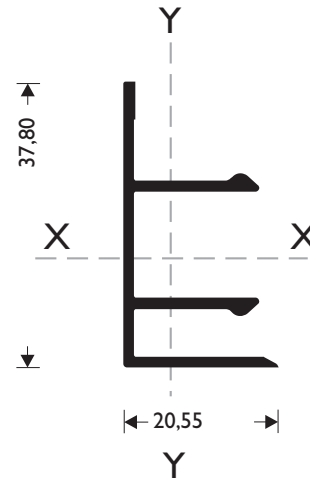
M 9978

W = 301 gr/m
 $I_x = 0,93 \text{ cm}^4$
 $I_y = 0,30 \text{ cm}^4$



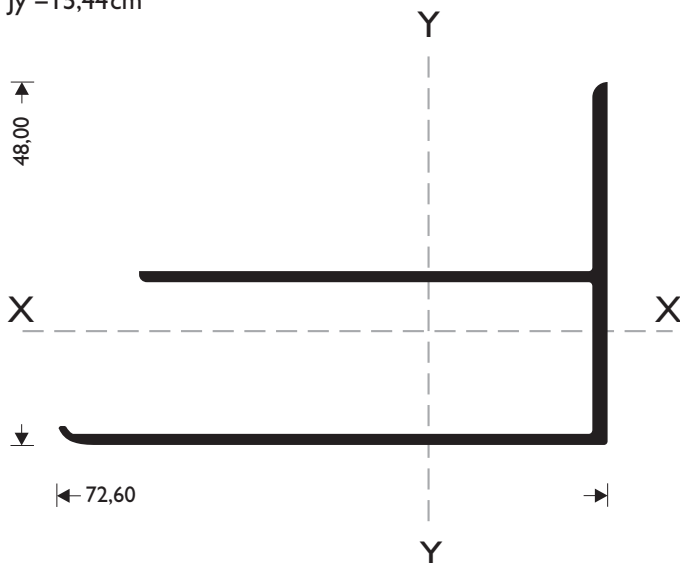
M 9979

W = 358 gr/m
 $I_x = 1,60 \text{ cm}^4$
 $I_y = 0,48 \text{ cm}^4$



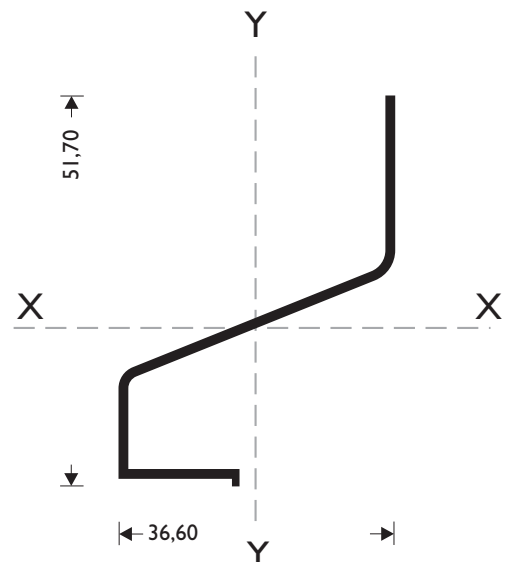
M 9962

W = 783 gr/m
 $I_x = 4,05 \text{ cm}^4$
 $I_y = 15,44 \text{ cm}^4$



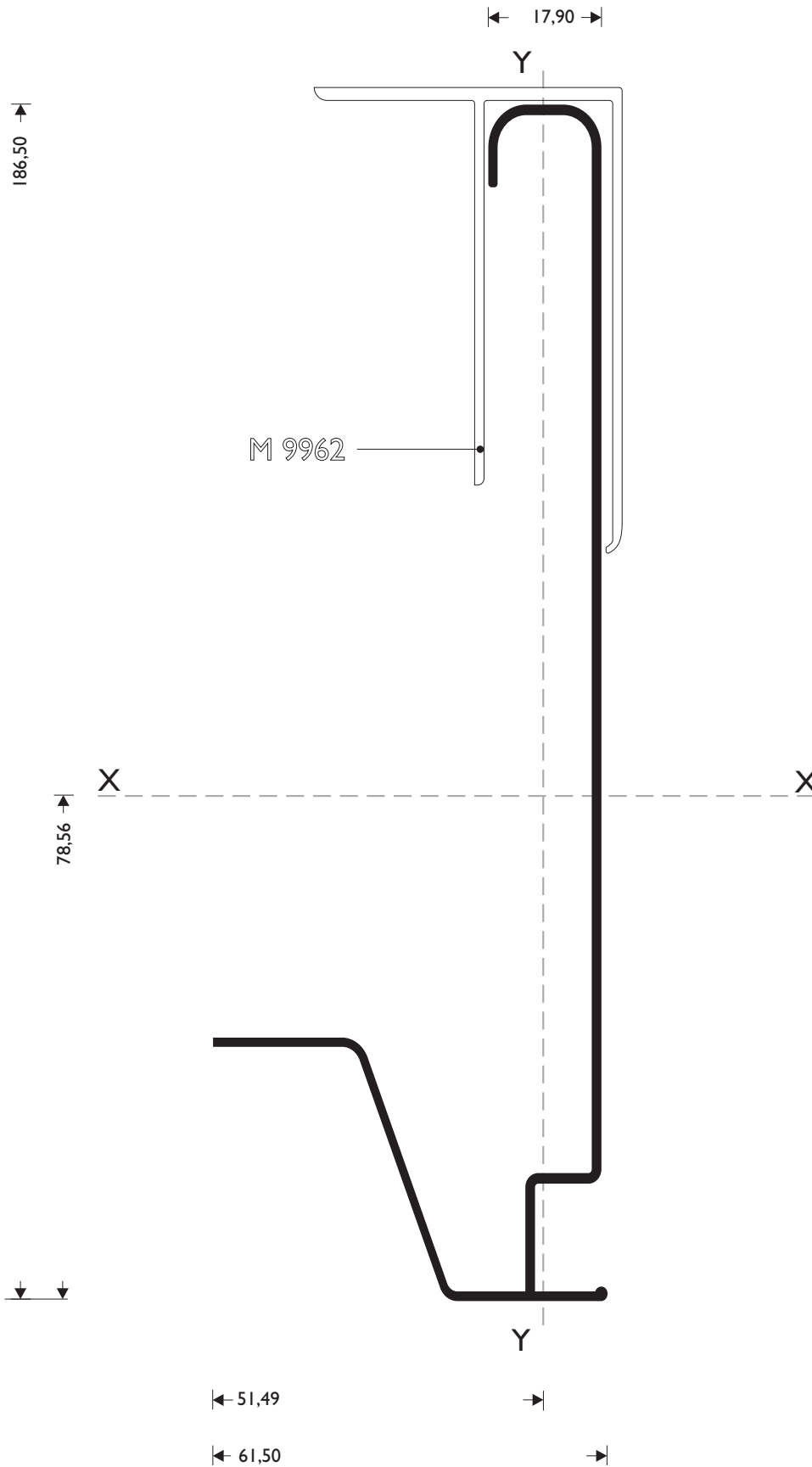
M 9970

W = 313 gr/m
 $I_x = 4,27 \text{ cm}^4$
 $I_y = 0,30 \text{ cm}^4$



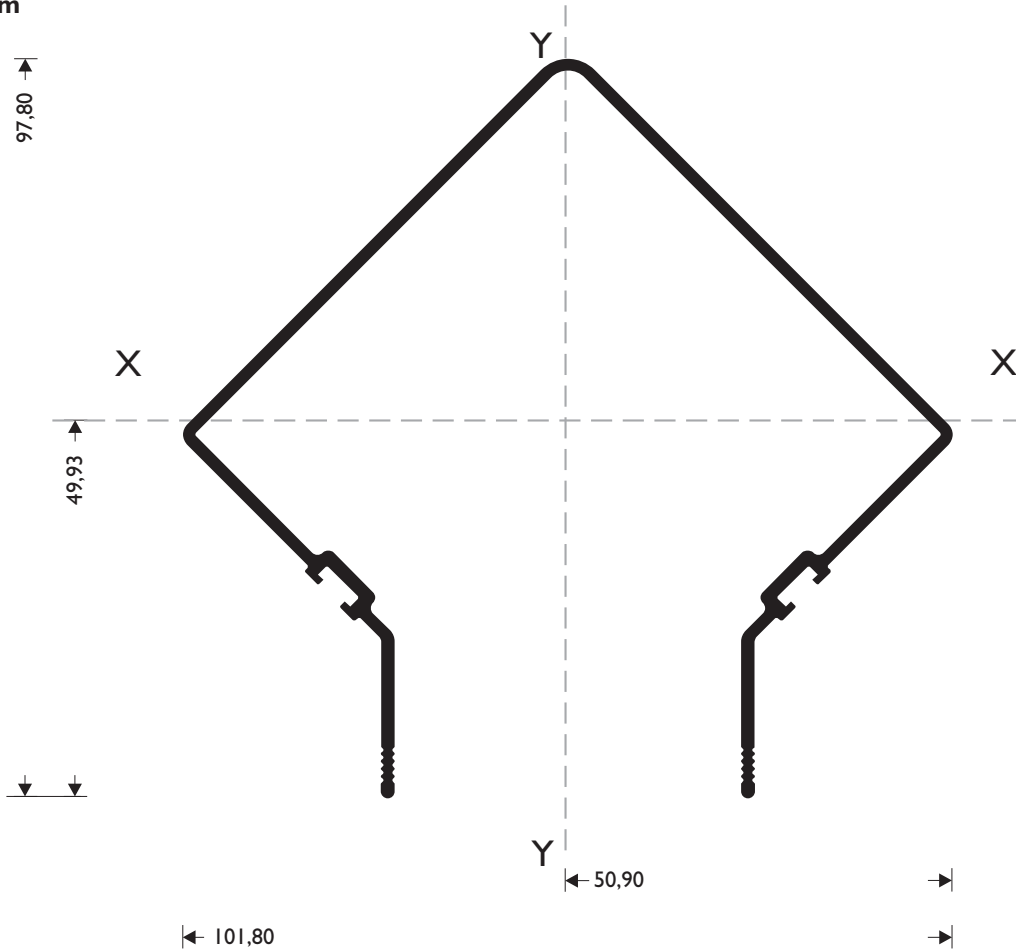
M 9961

$W = 1178 \text{ gr/m}$
 $I_x = 172,44 \text{ cm}^4$
 $J_y = 8,16 \text{ cm}^4$



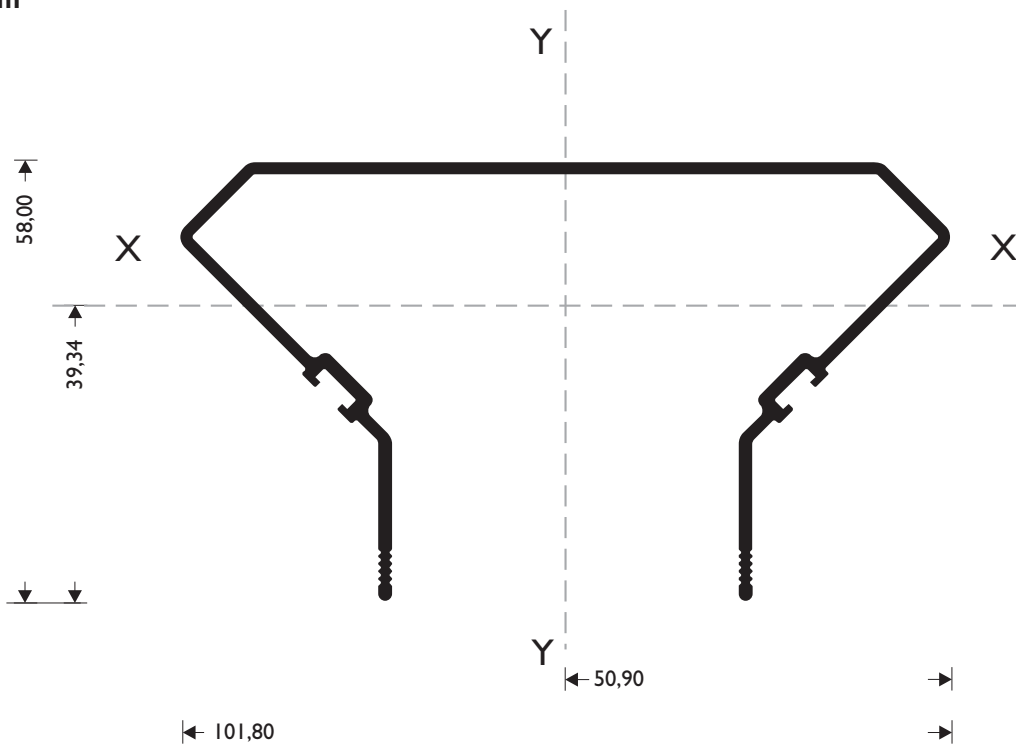
M 9998

W = 1201 gr/m
 $I_x = 32,81 \text{ cm}^4$
 $J_y = 43,01 \text{ cm}^4$



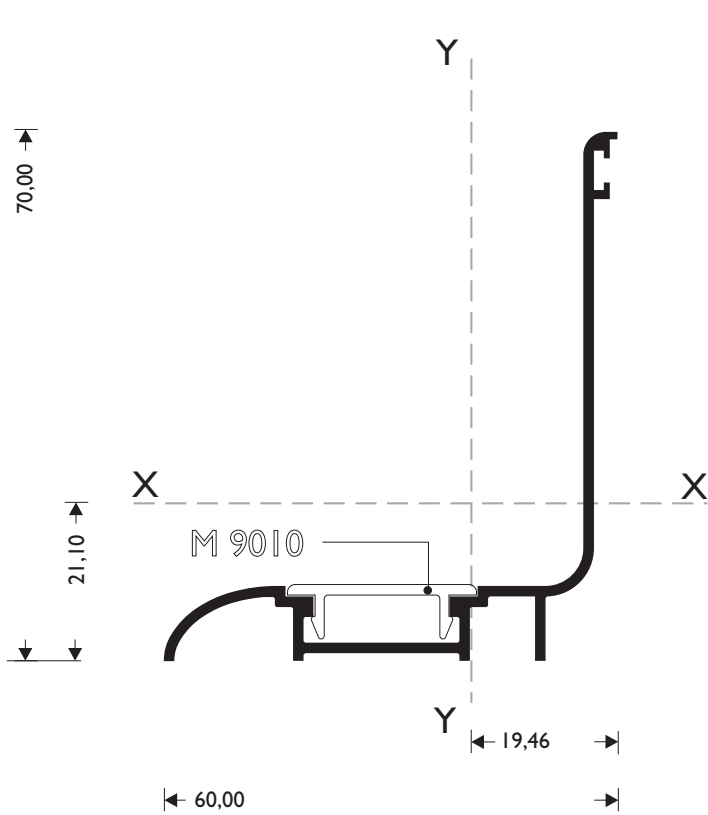
M 9999

W = 1060 gr/m
 $I_x = 12,42 \text{ cm}^4$
 $J_y = 39,82 \text{ cm}^4$



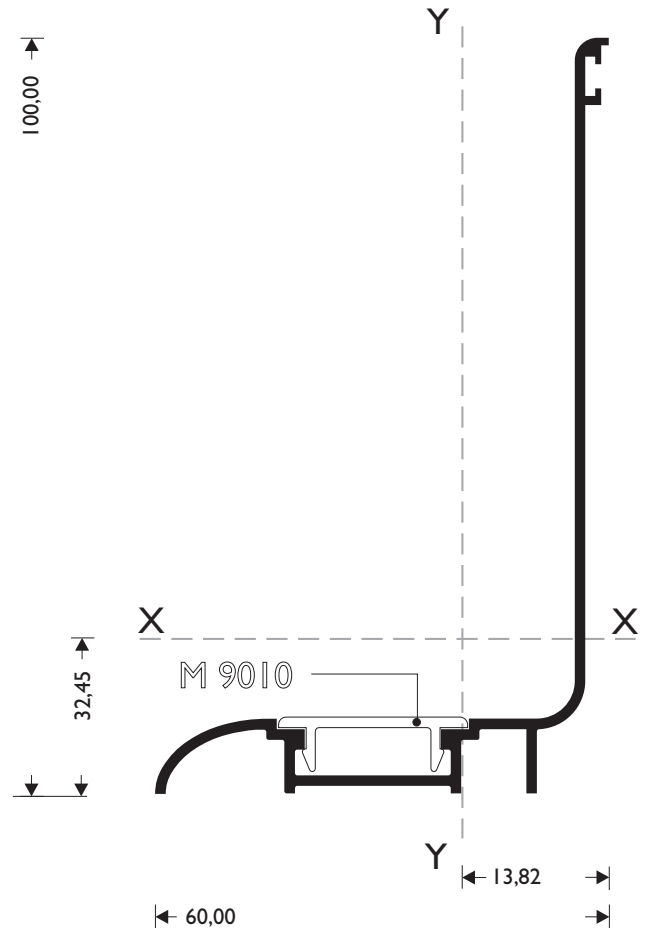
M 9913

W = 585 gr/m
 $I_x = 14,64 \text{ cm}^4$
 $I_y = 3,03 \text{ cm}^4$



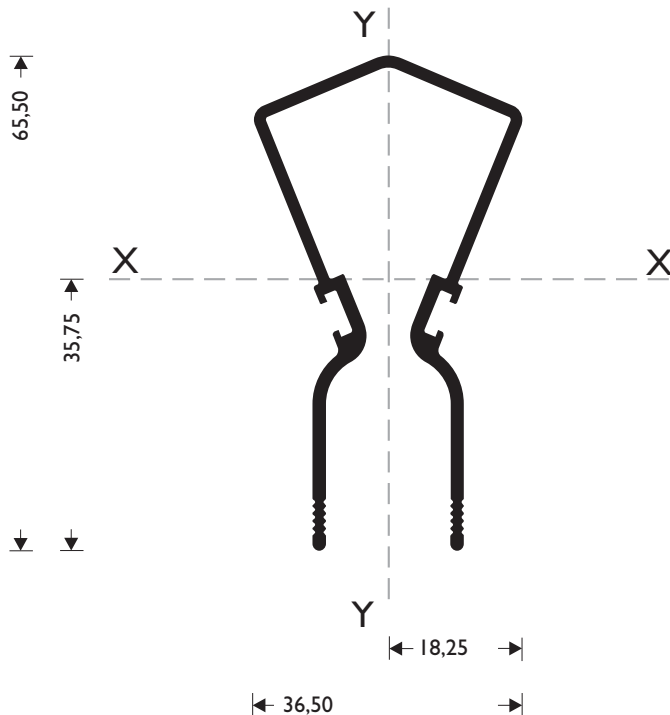
M 9914

W = 699 gr/m
 $I_x = 31,46 \text{ cm}^4$
 $I_y = 4,23 \text{ cm}^4$



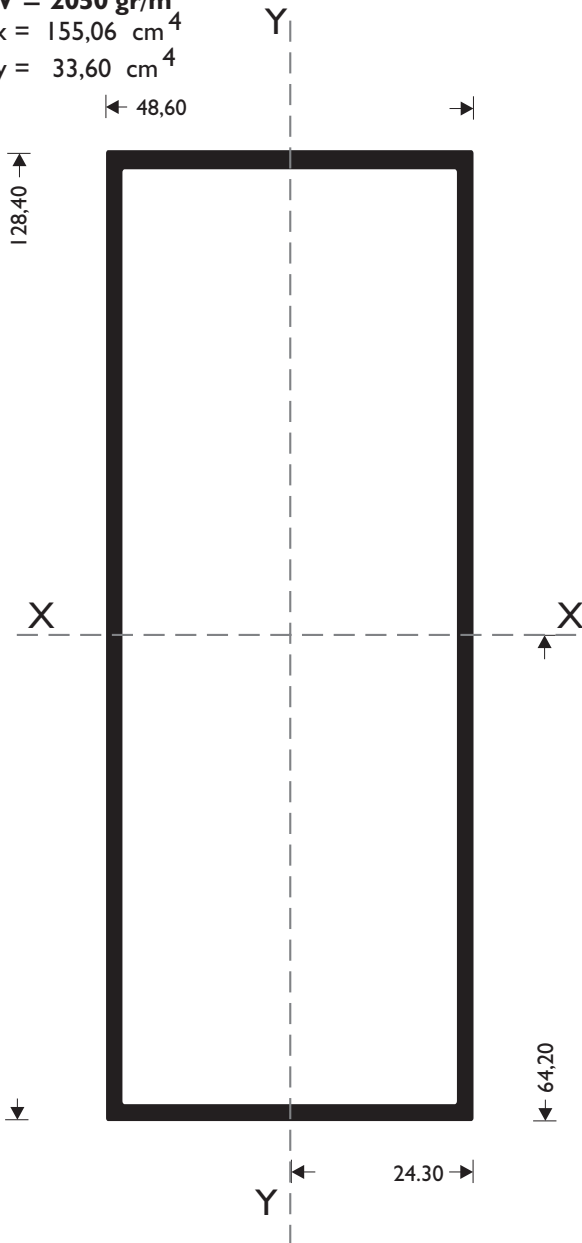
M 9997

W = 793 gr/m
 $I_x = 10,45 \text{ cm}^4$
 $I_y = 2,99 \text{ cm}^4$



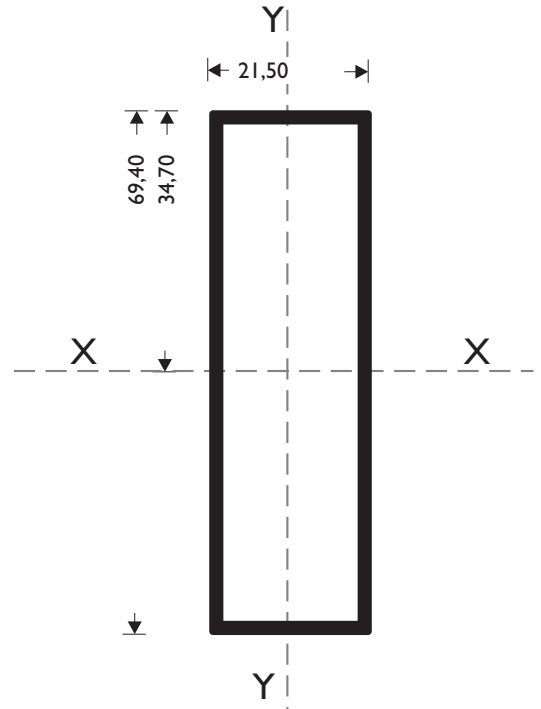
M 9941

W = 2050 gr/m
 $I_x = 155,06 \text{ cm}^4$
 $J_y = 33,60 \text{ cm}^4$



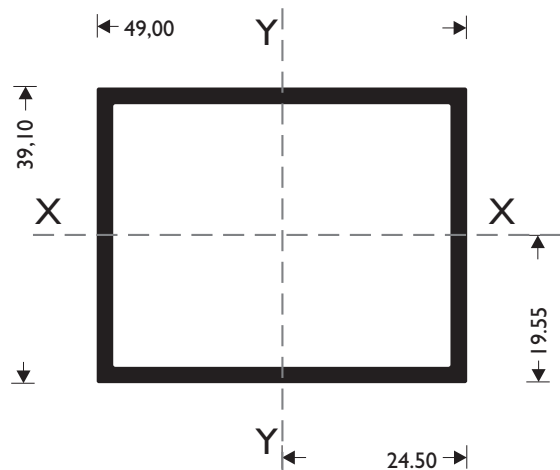
M 9949

W = 851 gr/m
 $I_x = 17,55 \text{ cm}^4$
 $J_y = 2,60 \text{ cm}^4$



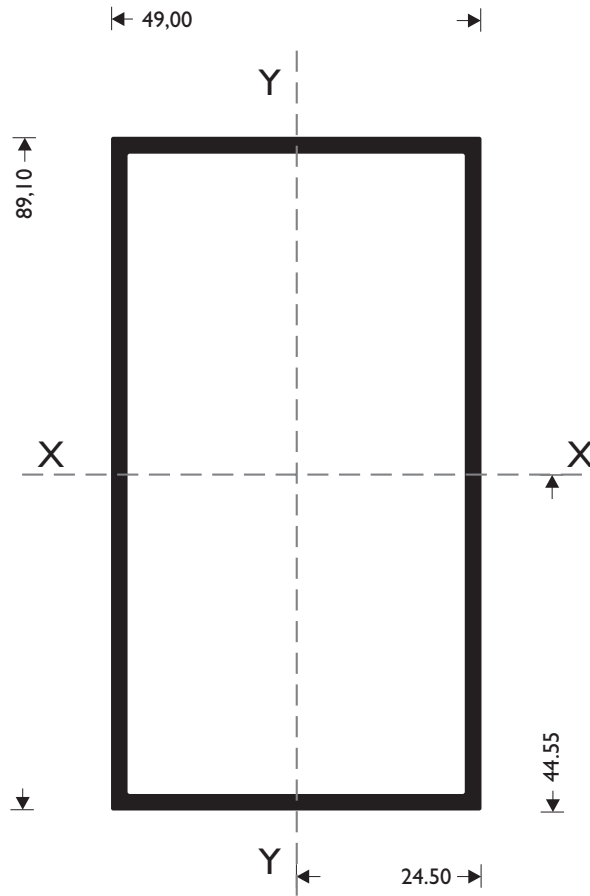
M 9926

W = 994 gr/m
 $I_x = 8,88 \text{ cm}^4$
 $J_y = 12,68 \text{ cm}^4$



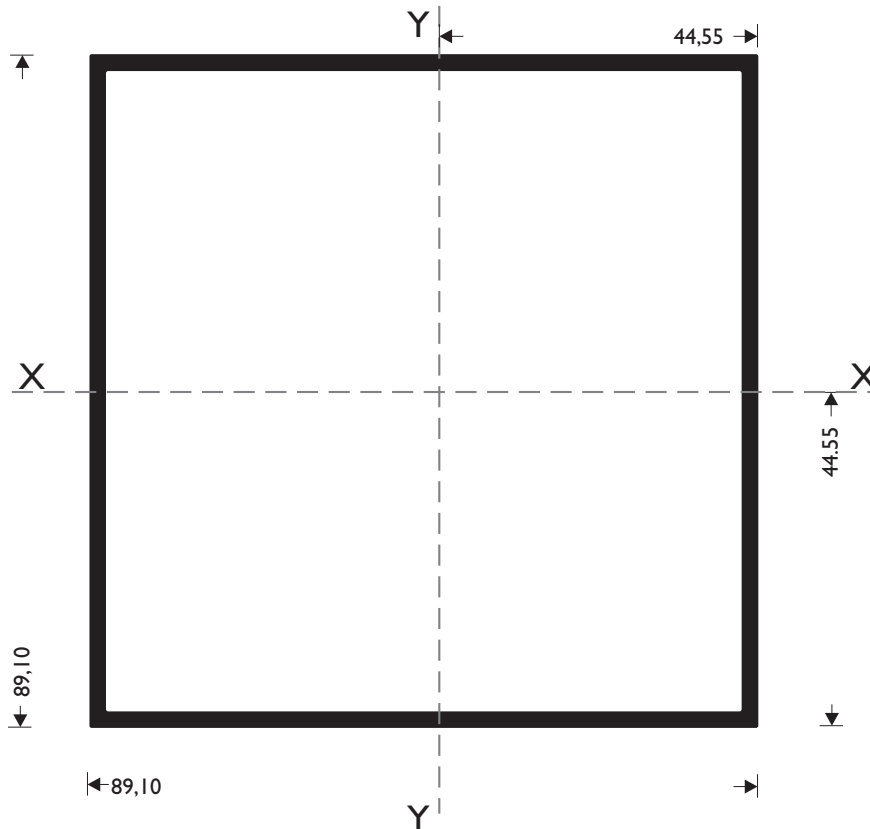
M 9925

W = 1588 gr/m
 $I_x = 62,99 \text{ cm}^4$
 $J_y = 24,73 \text{ cm}^4$



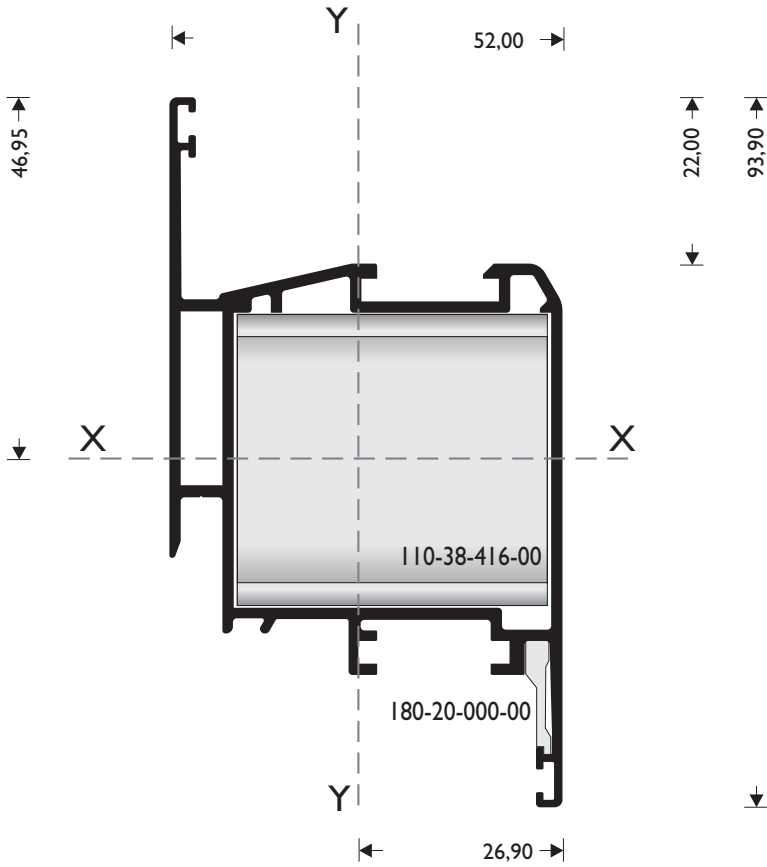
M 9920

W = 2065 gr/m
 $I_x = 96,31 \text{ cm}^4$
 $J_y = 96,31 \text{ cm}^4$



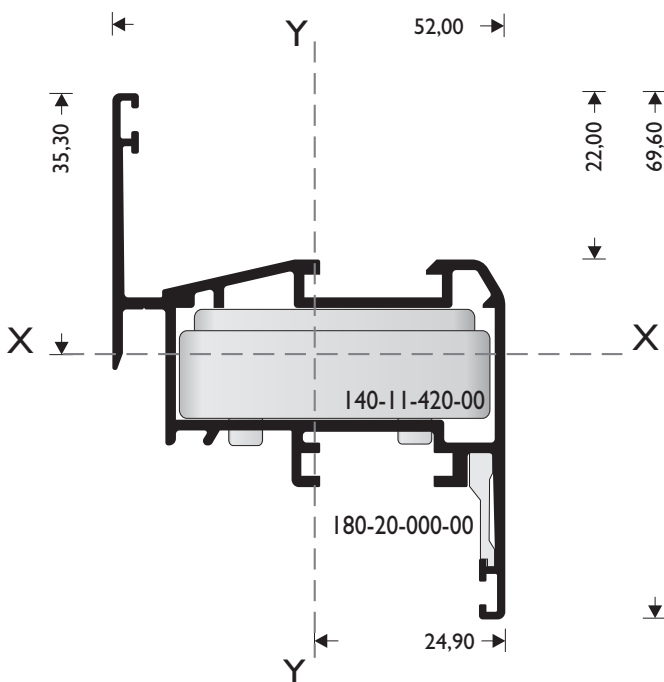
M 9503

W = 1319 gr/m
 $I_x = 24,31 \text{ cm}^4$
 $J_y = 19,31 \text{ cm}^4$



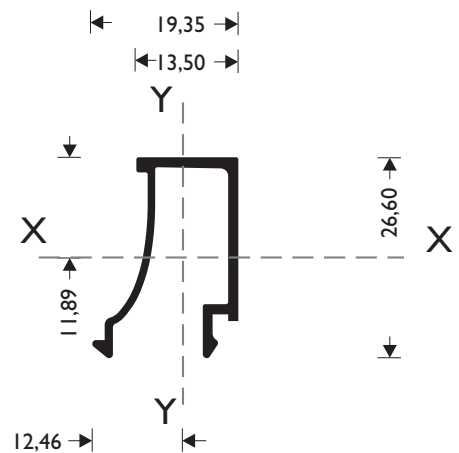
M 9501

W = 965 gr/m
 $I_x = 7,36 \text{ cm}^4$
 $J_y = 12,63 \text{ cm}^4$



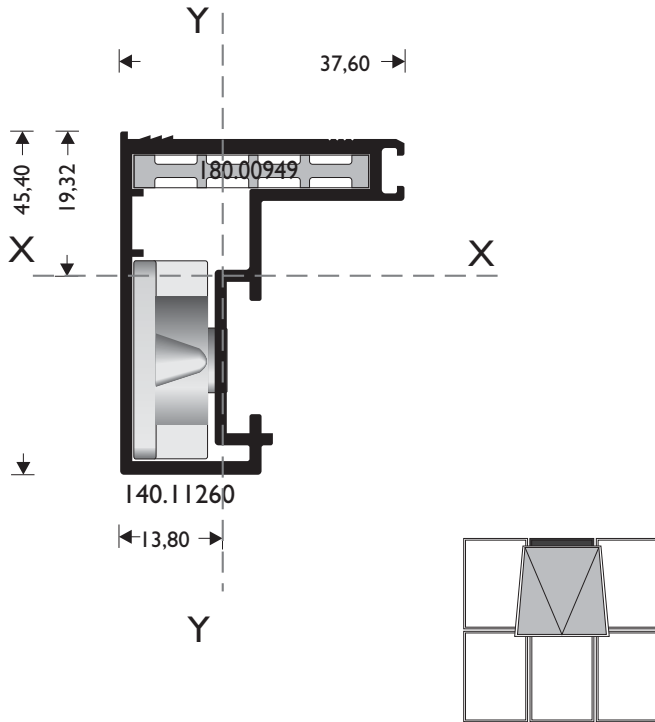
M 9312

W = 242 gr/m
 $I_x = 0,65 \text{ cm}^4$
 $J_y = 0,33 \text{ cm}^4$



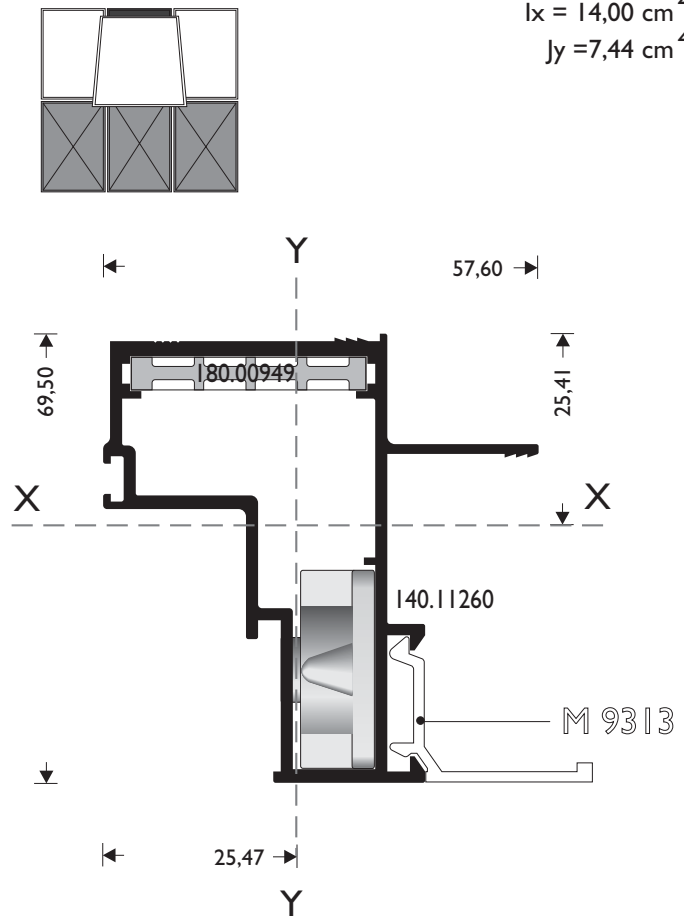
M 9984

W = 800 gr/m
 $I_x = 7,36 \text{ cm}^4$
 $I_y = 3,36 \text{ cm}^4$



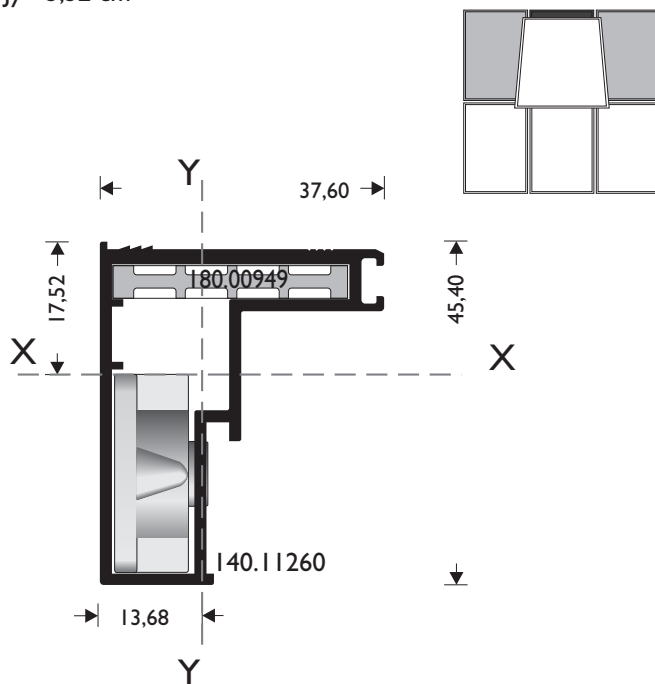
M 9985

W = 1037 gr/m
 $I_x = 14,00 \text{ cm}^4$
 $I_y = 7,44 \text{ cm}^4$



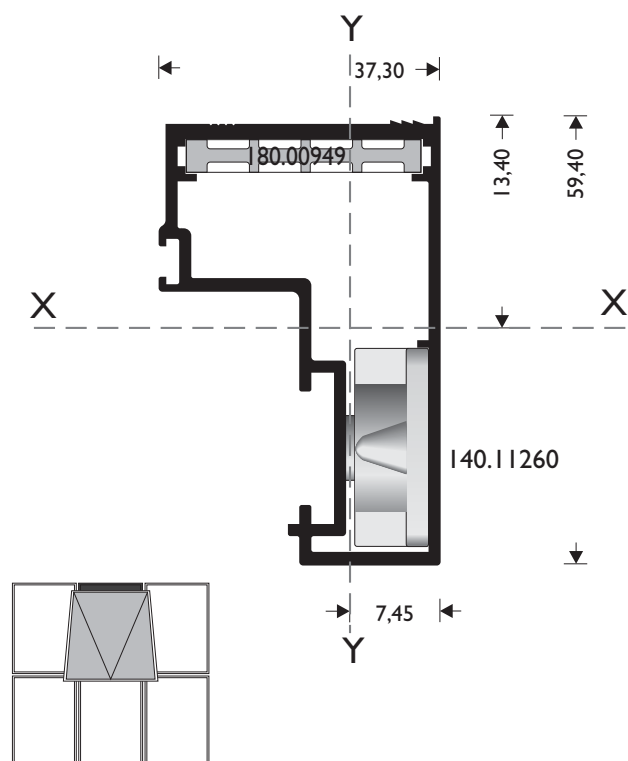
M 9986

W = 736 gr/m
 $I_x = 6,08 \text{ cm}^4$
 $I_y = 3,32 \text{ cm}^4$



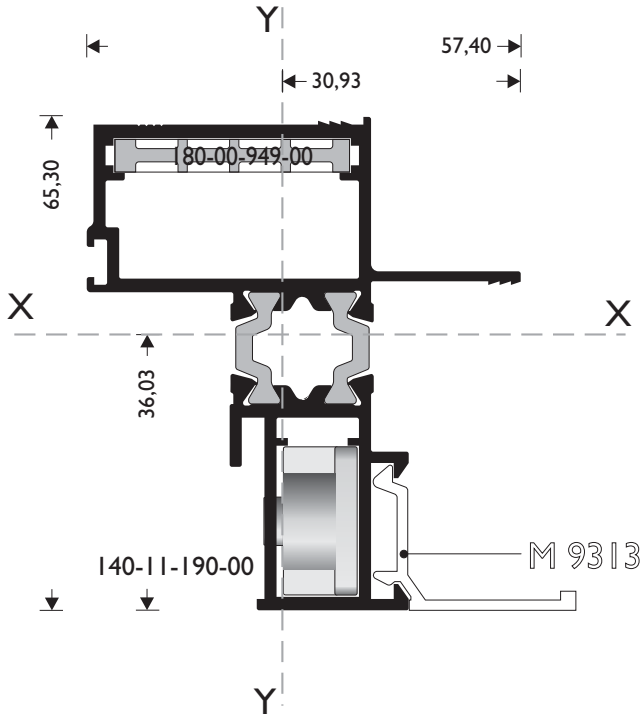
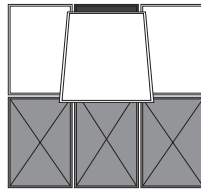
M 10989

W = 956 gr/m
 $I_x = 14,05 \text{ cm}^4$
 $I_y = 5,16 \text{ cm}^4$



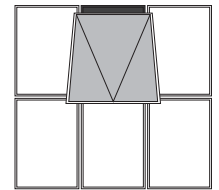
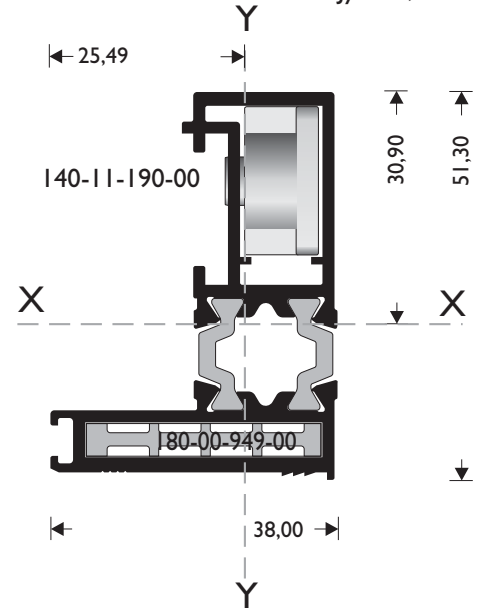
M 9991

W = 1352 gr/m
 $I_x = 18,04 \text{ cm}^4$
 $J_y = 7,93 \text{ cm}^4$



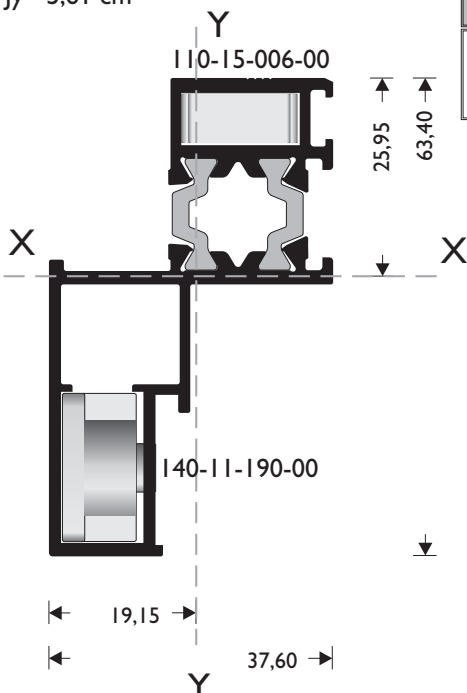
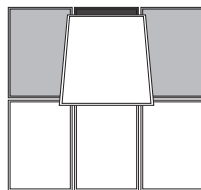
M 9992

W = 1109 gr/m
 $I_x = 10,97 \text{ cm}^4$
 $J_y = 4,05 \text{ cm}^4$



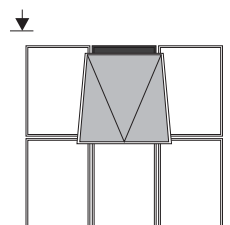
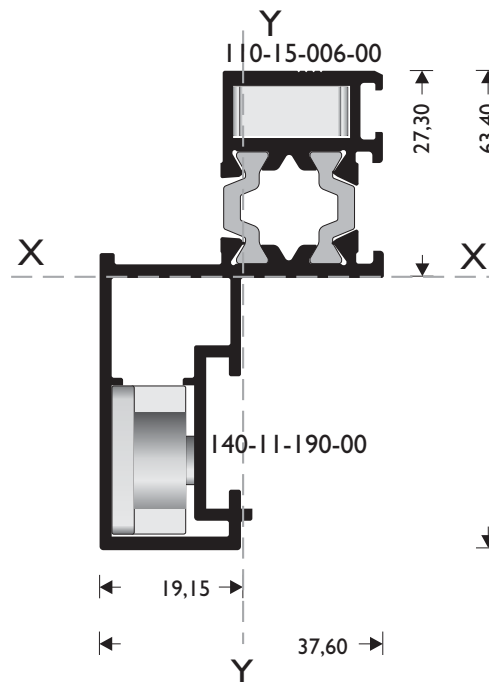
M 10990

W = 1135 gr/m
 $I_x = 14,48 \text{ cm}^4$
 $J_y = 5,61 \text{ cm}^4$



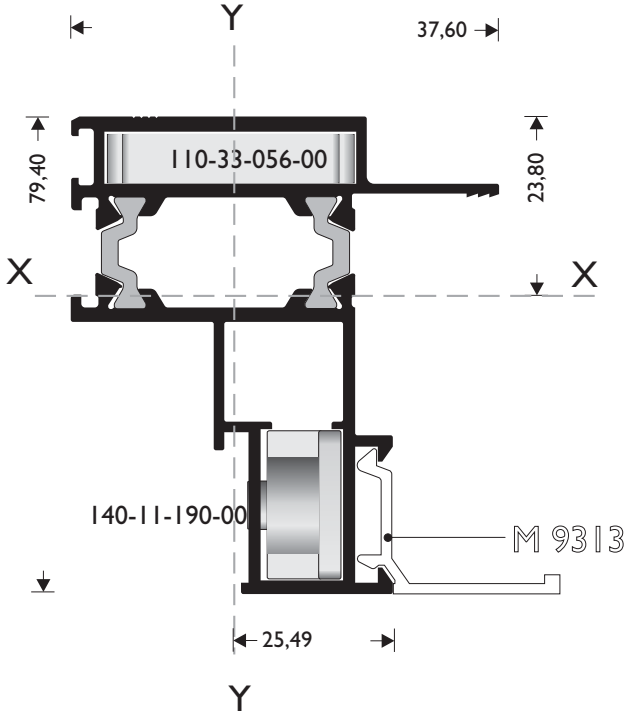
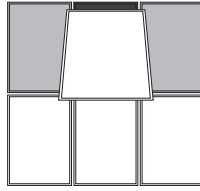
M 10 991

W = 1198 gr/m
 $I_x = 16,62 \text{ cm}^4$
 $J_y = 5,60 \text{ cm}^4$



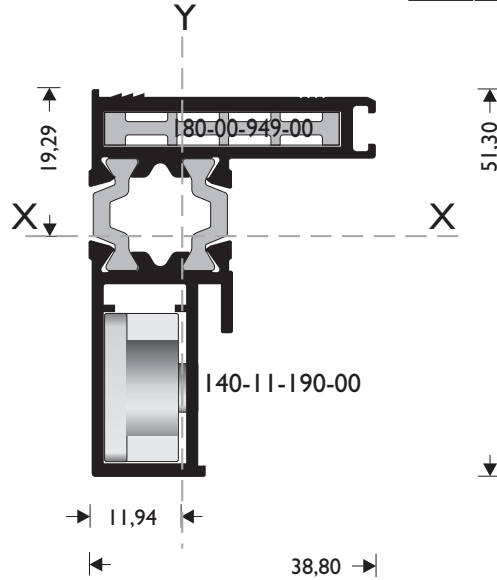
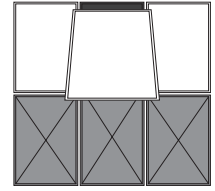
M 10992

W = 1438 gr/m
 $I_x = 19,52 \text{ cm}^4$
 $I_y = 10,14 \text{ cm}^4$



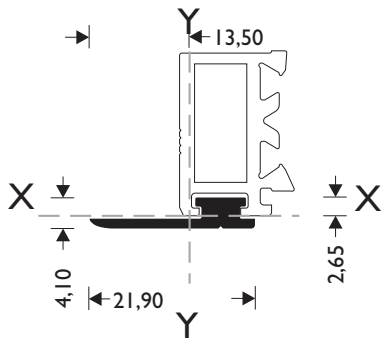
M 9994

W = 1071 gr/m
 $I_x = 9,47 \text{ cm}^4$
 $I_y = 4,00 \text{ cm}^4$



M 10 970

W = 118 gr/m
 $I_x = 0,06 \text{ cm}^4$
 $I_y = 0,15 \text{ cm}^4$



AL 10 901

W = 209 gr/m
 $I_x = 0,07 \text{ cm}^4$
 $I_y = 0,51 \text{ cm}^4$

