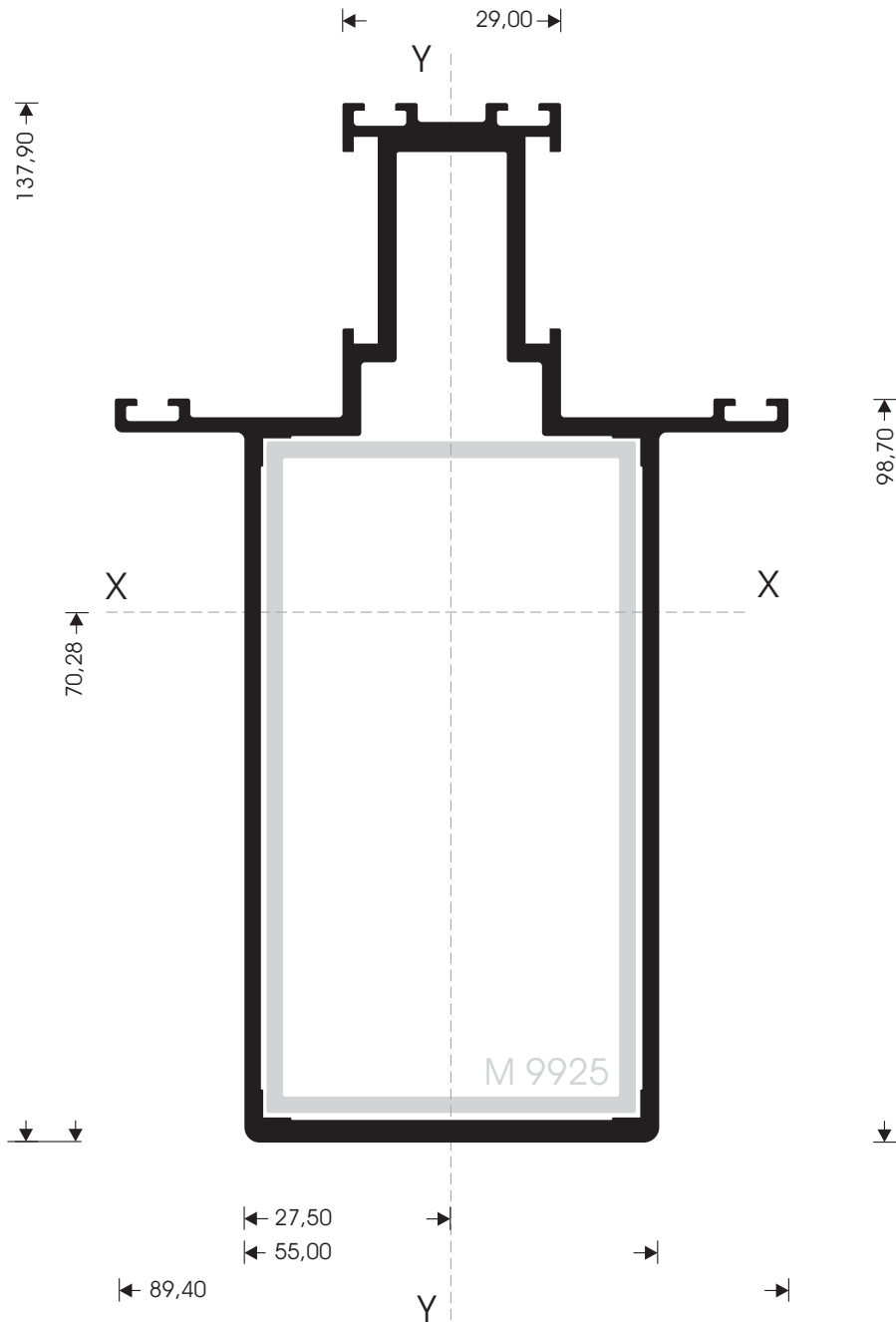


**M 9951**

**W = 2850 gr/m**

$I_x = 222,41 \text{ cm}^4$

$J_y = 49,81 \text{ cm}^4$

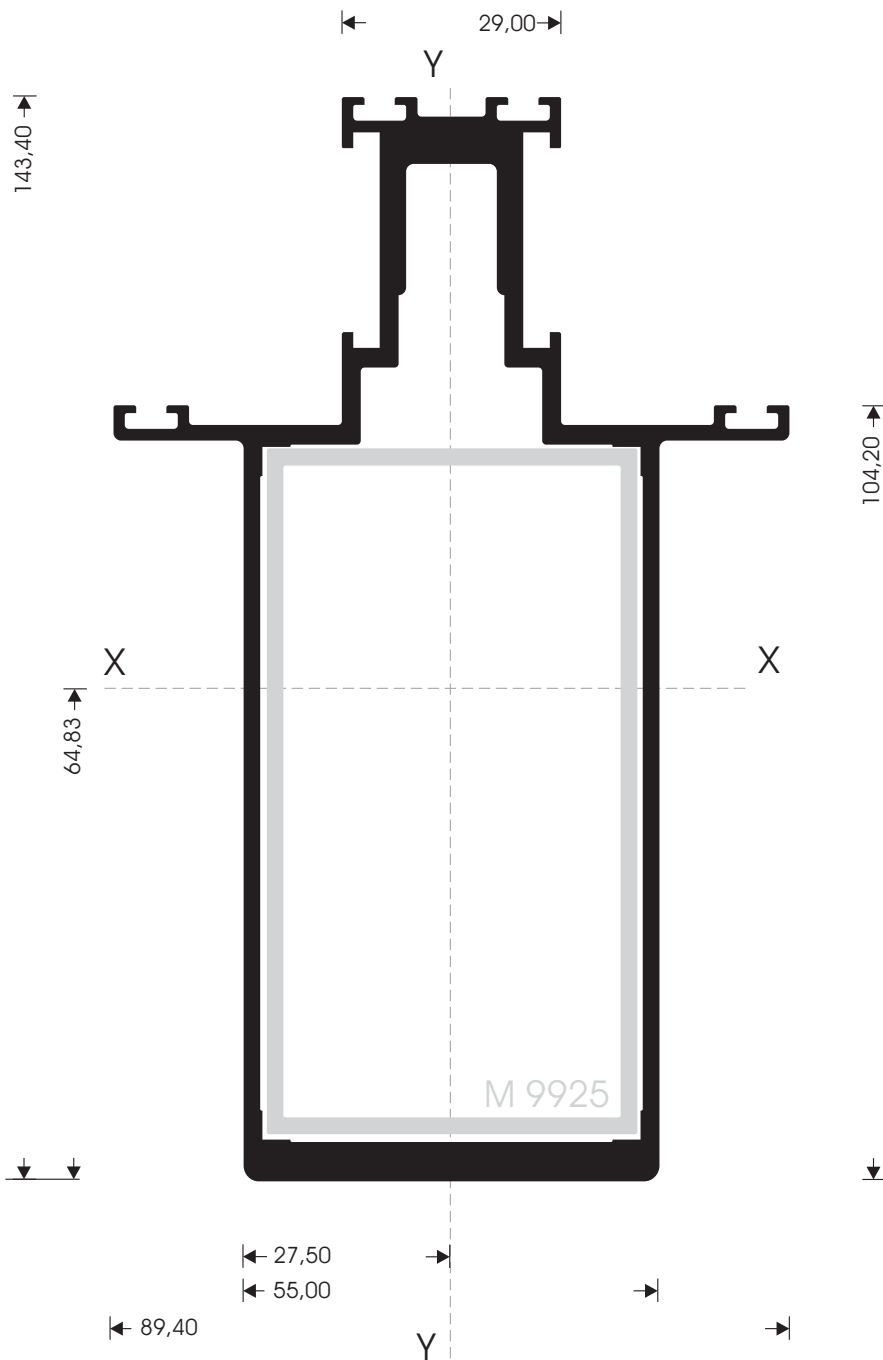


M 9959

W = 3823 gr/m

I<sub>x</sub> = 383,95 cm<sup>4</sup>

J<sub>y</sub> = 57,10 cm<sup>4</sup>

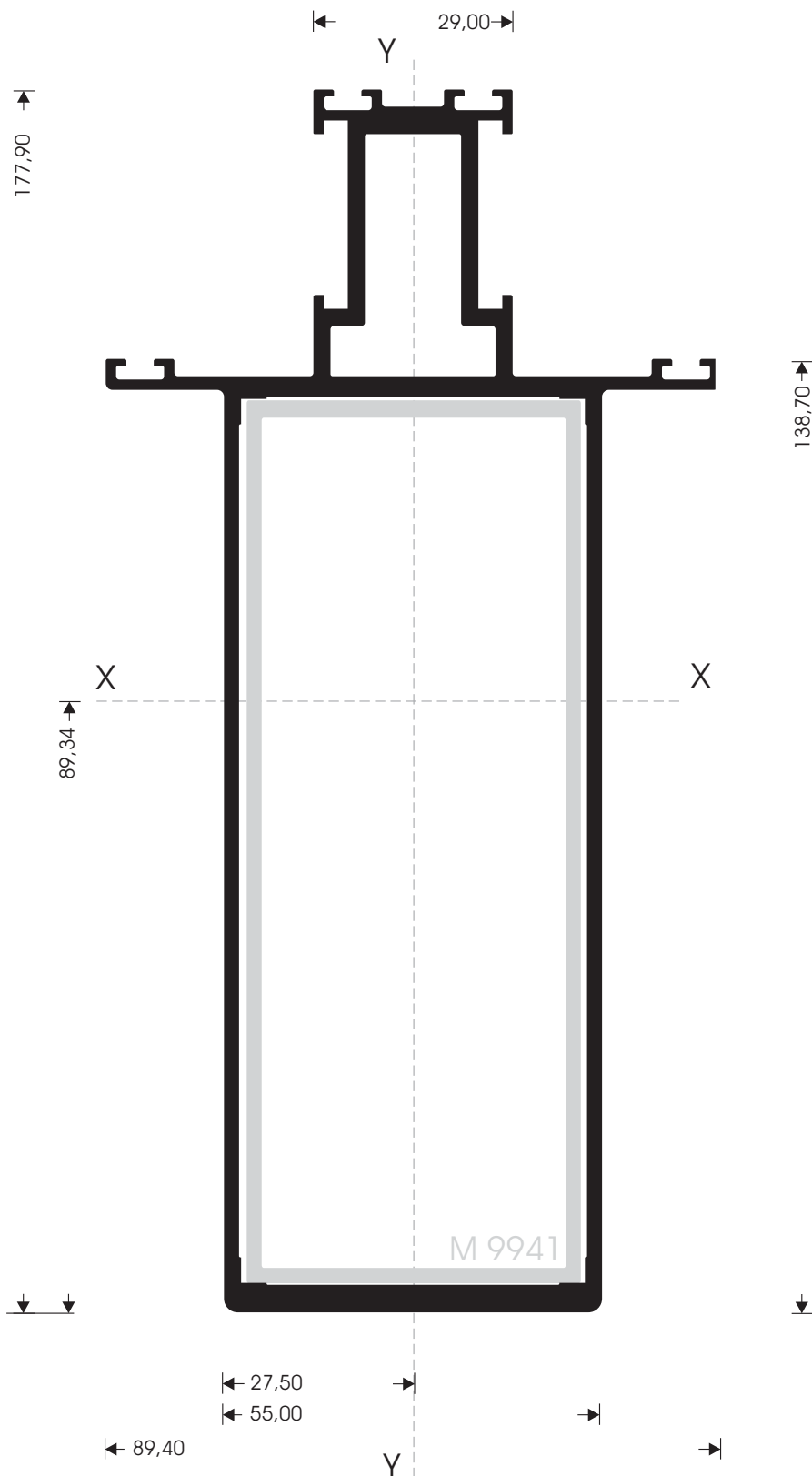


M 9956

W = 3692 gr/m

$I_x = 493,37 \text{ cm}^4$

$J_y = 64,00 \text{ cm}^4$

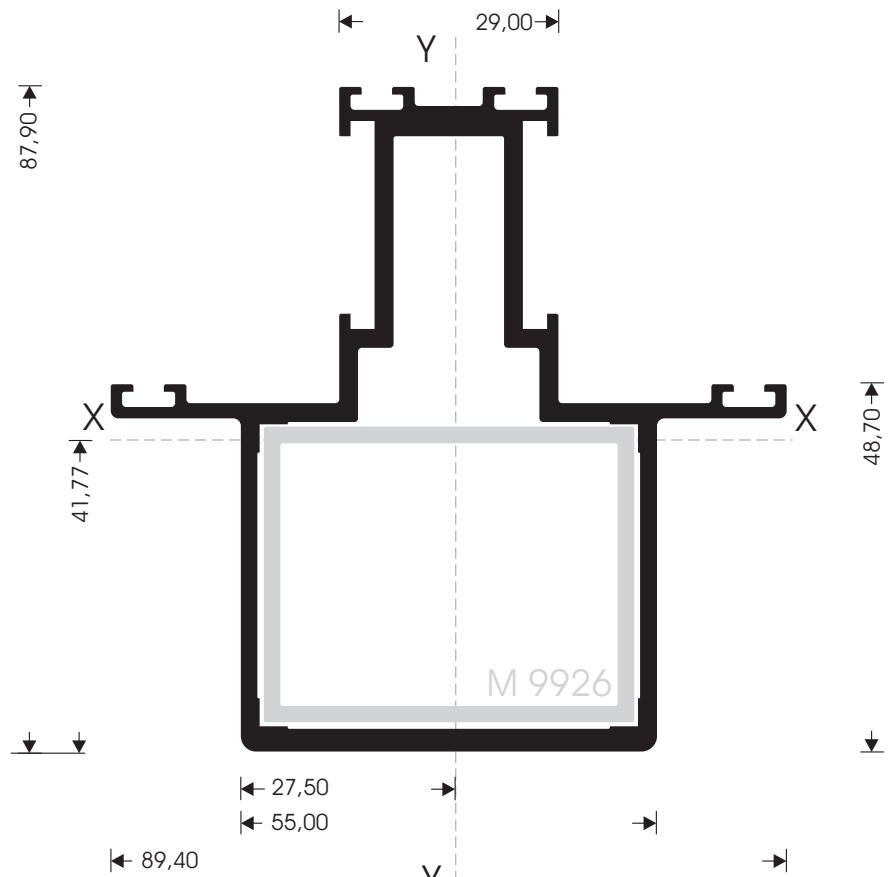


M 9952

W = 2255 gr/m

$I_x = 66,82 \text{ cm}^4$

$J_y = 34,30 \text{ cm}^4$

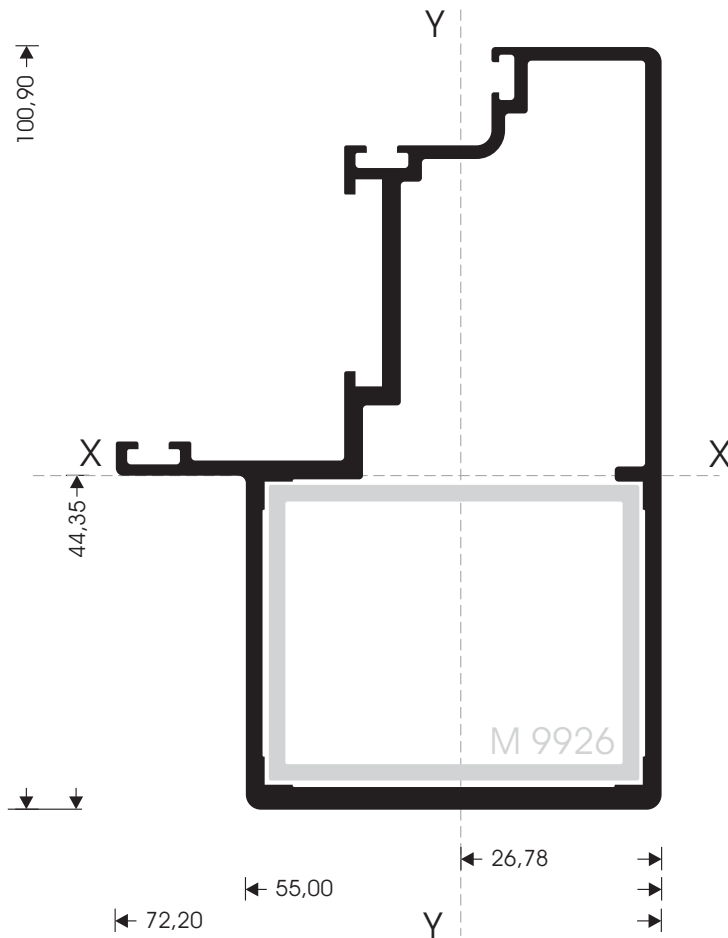


M 109954

W = 2117 gr/m

$I_x = 85,16 \text{ cm}^4$

$J_y = 35,91 \text{ cm}^4$

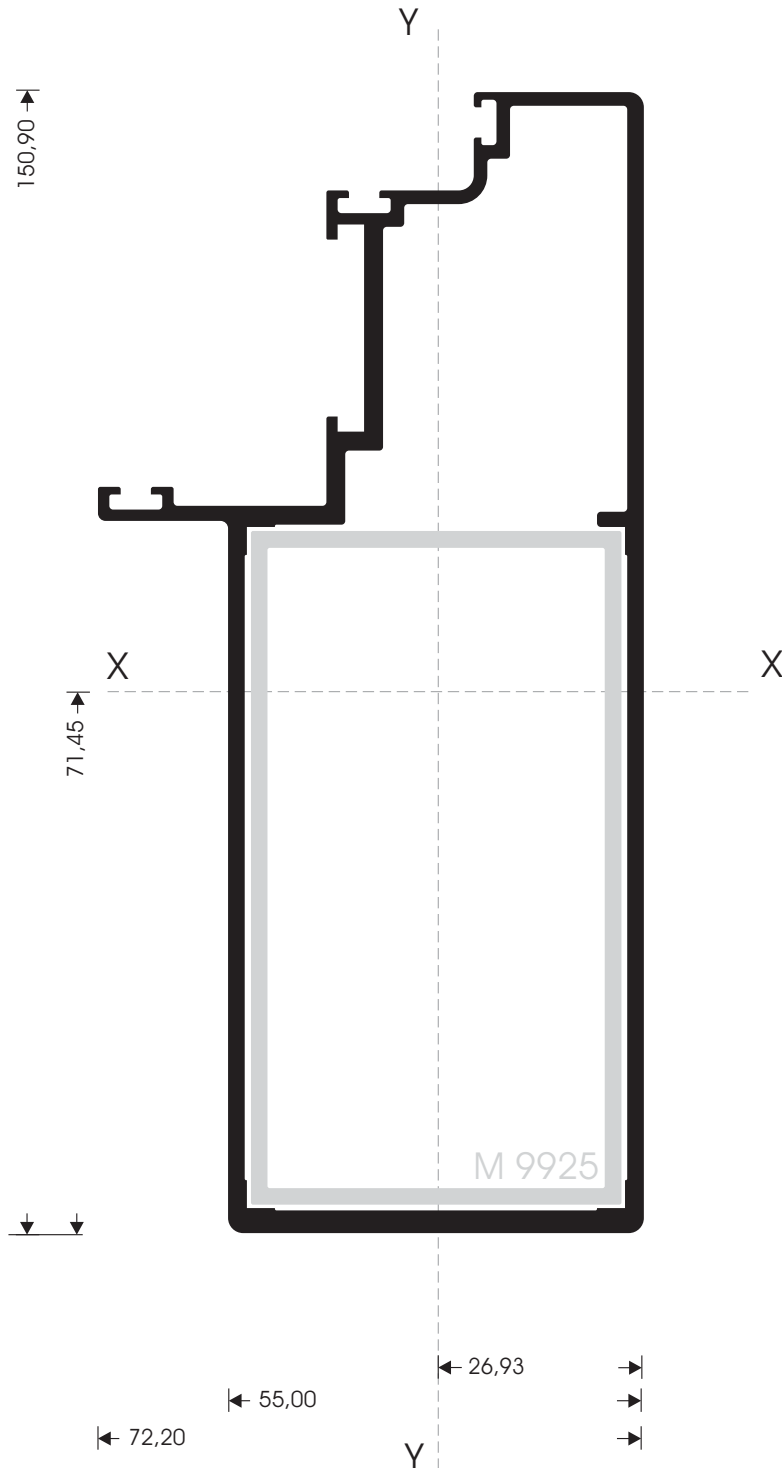


# M 9954

**W = 2711 gr/m**

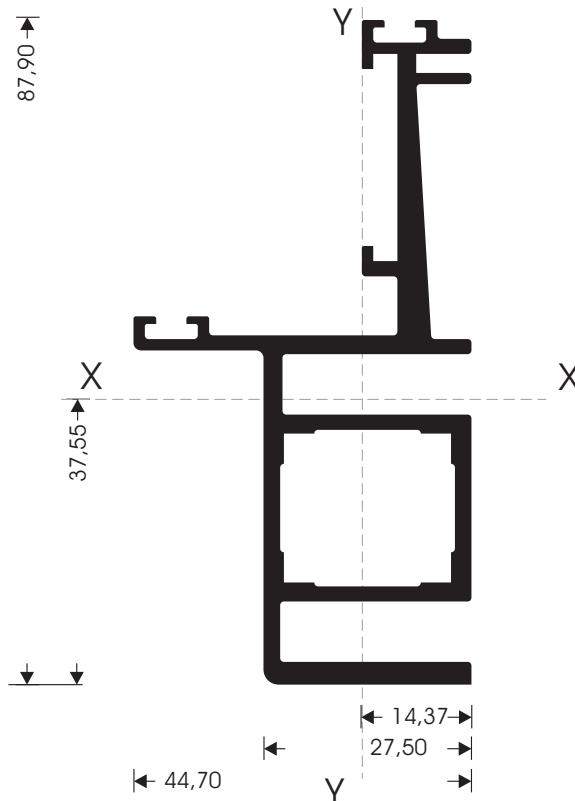
$I_x = 248,38 \text{ cm}^4$

$J_y = 50,63 \text{ cm}^4$



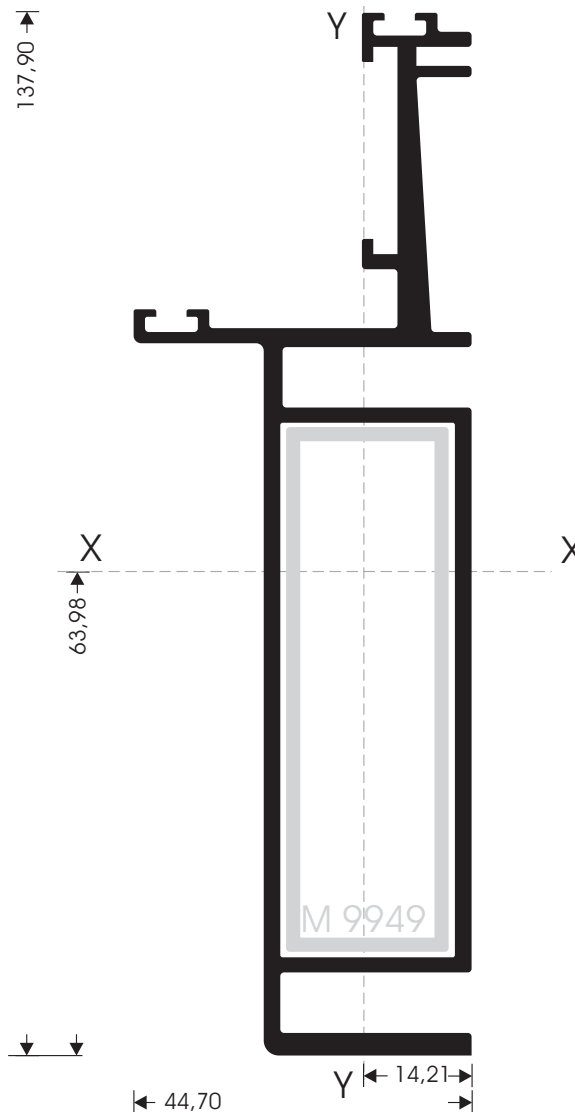
M 109953

W = 1710 gr/m  
 $I_x = 39,78 \text{ cm}^4$   
 $J_y = 6,83 \text{ cm}^4$



M 9953

W = 2304 gr/m  
 $I_x = 147,55 \text{ cm}^4$   
 $J_y = 10,29 \text{ cm}^4$

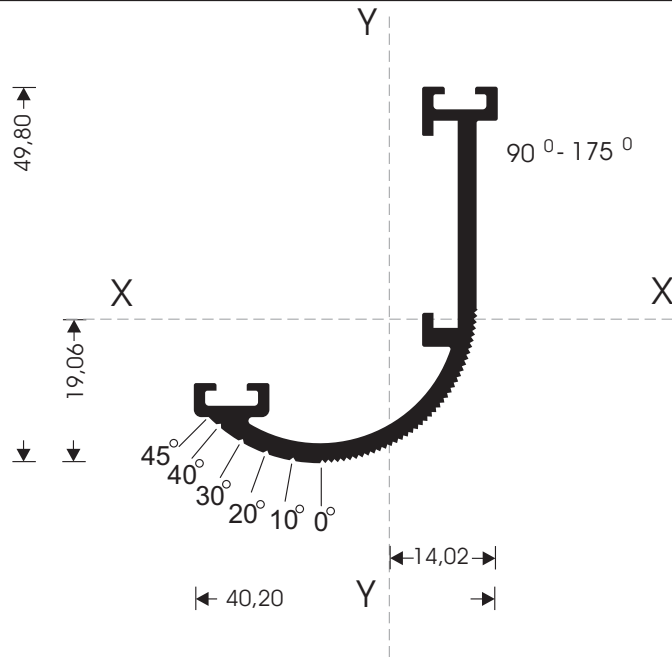


**M 9958**

**W = 652 gr/m**

$I_x = 8,28 \text{ cm}^4$

$J_y = 1,43 \text{ cm}^4$

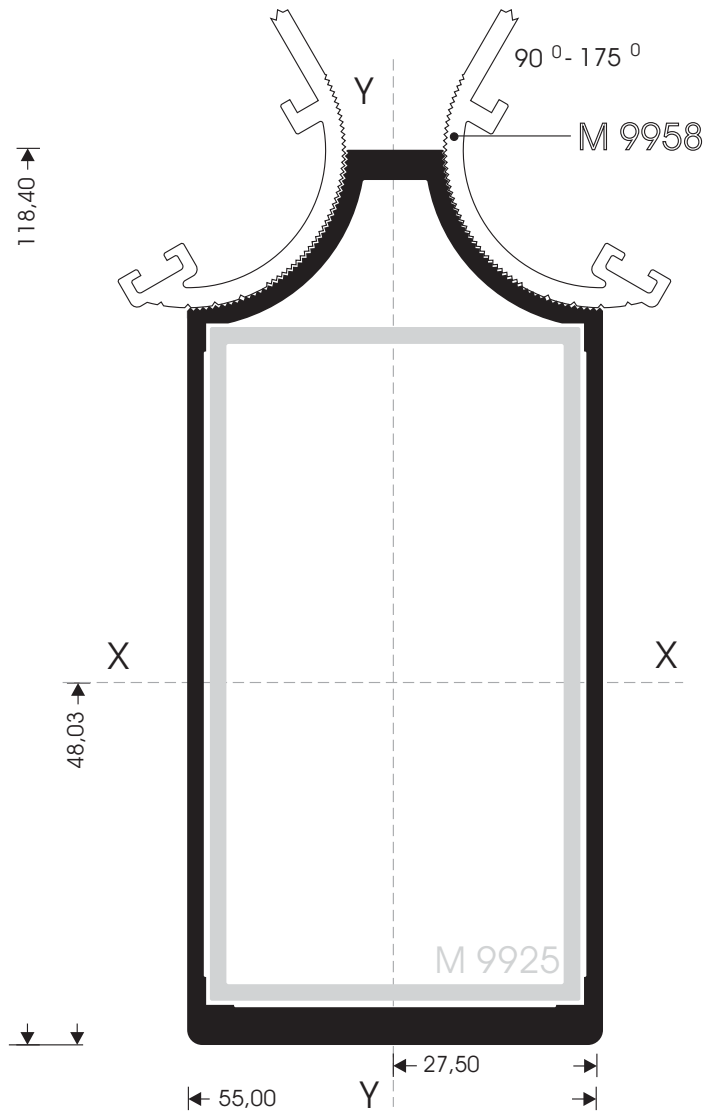


**M 9945**

**W = 2363 gr/m**

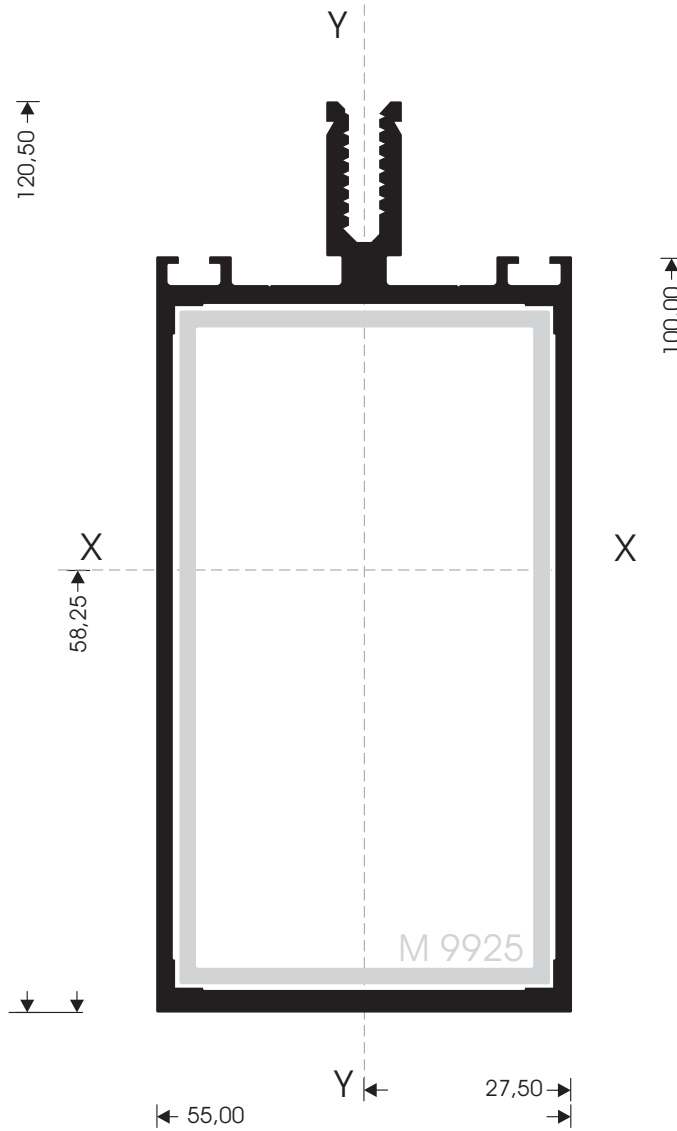
$I_x = 154,19 \text{ cm}^4$

$J_y = 38,18 \text{ cm}^4$



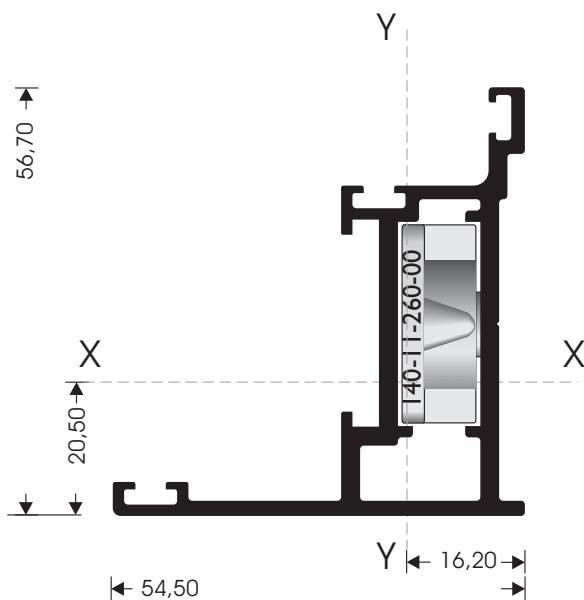
M 9901

W = 2392 gr/m  
 $I_x = 145,68 \text{ cm}^4$   
 $J_y = 37,68 \text{ cm}^4$



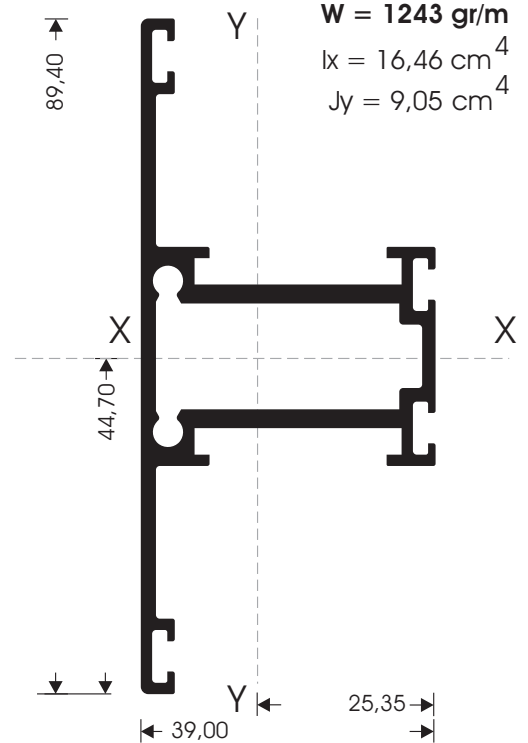
M 10982

W = 1145 gr/m  
 $I_x = 12,79 \text{ cm}^4$   
 $J_y = 7,31 \text{ cm}^4$



M 10983

W = 1243 gr/m  
 $I_x = 16,46 \text{ cm}^4$   
 $J_y = 9,05 \text{ cm}^4$



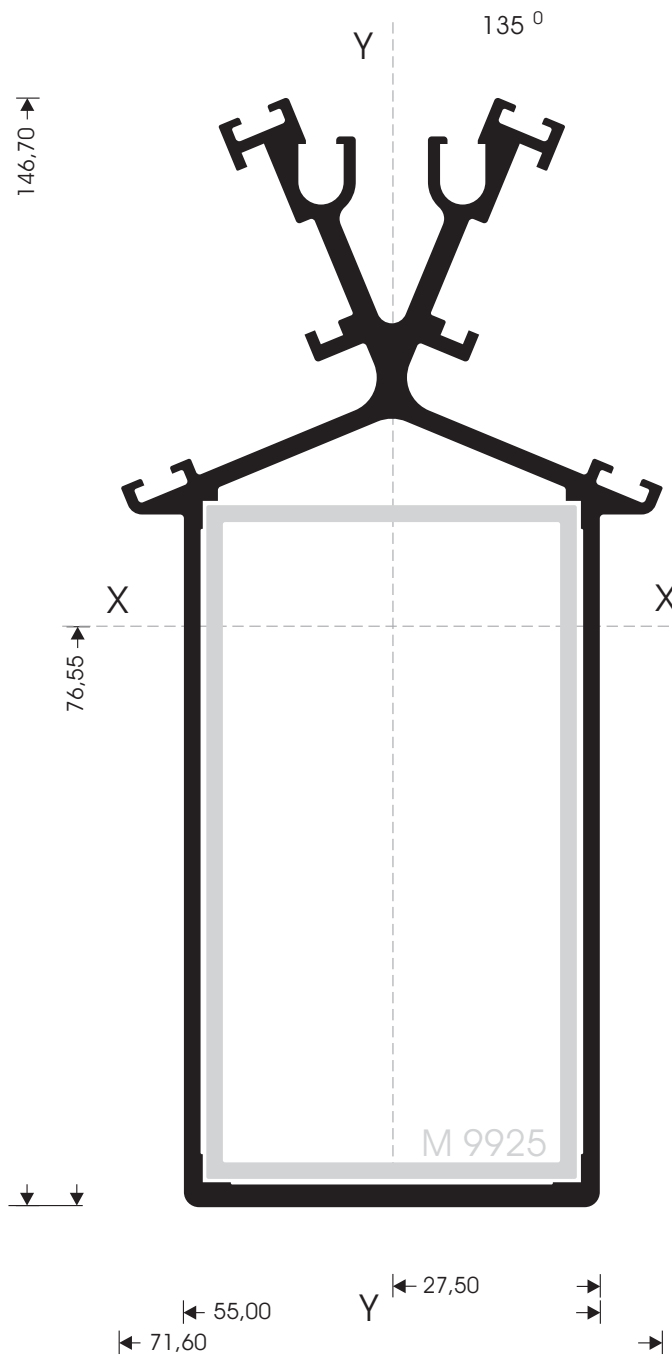


**M 9964**

**W = 3116 gr/m**

$I_x = 267,40 \text{ cm}^4$

$J_y = 45,72 \text{ cm}^4$

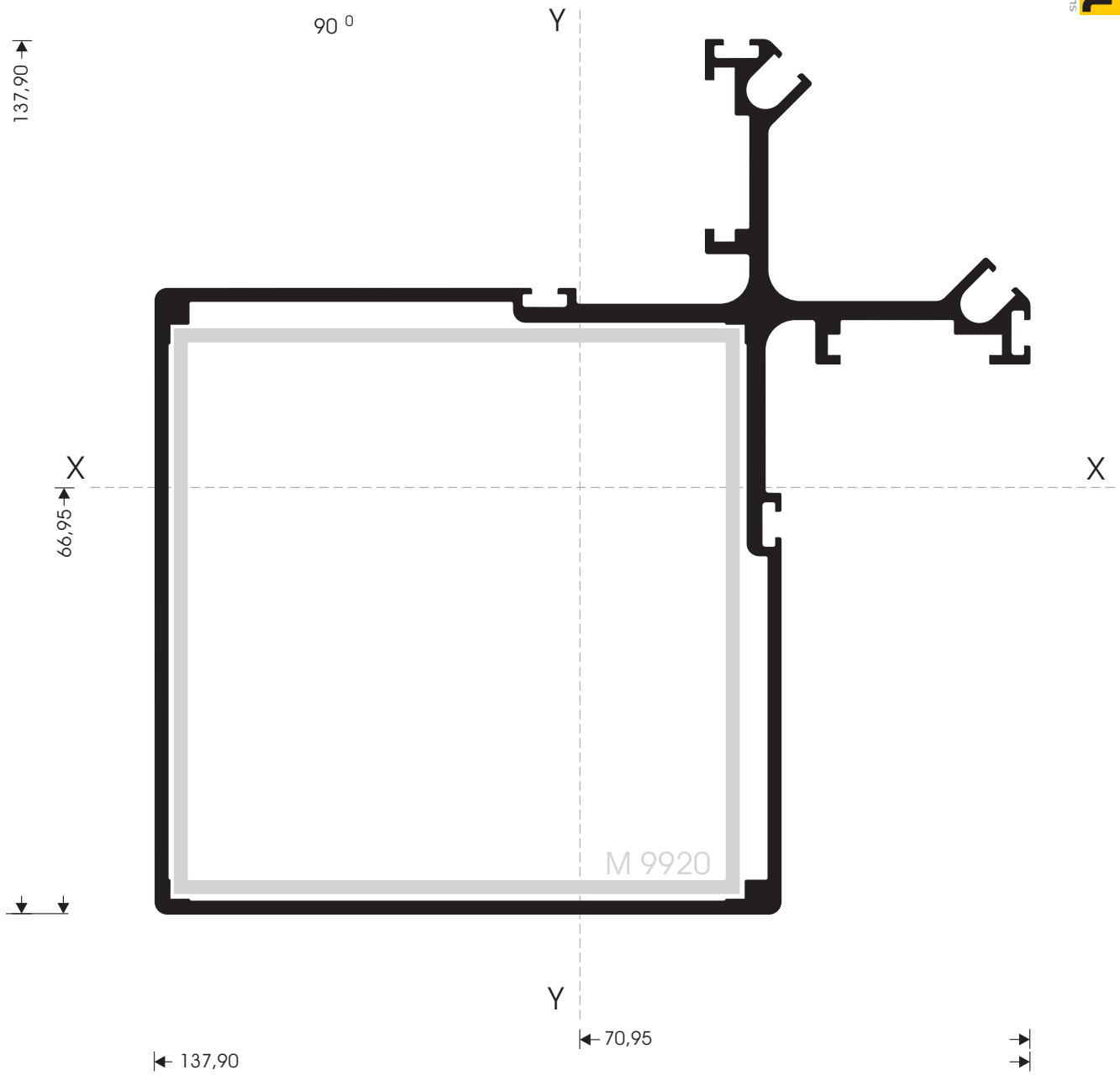


M 9963

W = 3552 gr/m

$I_x = 231,51 \text{ cm}^4$

$J_y = 231,51 \text{ cm}^4$

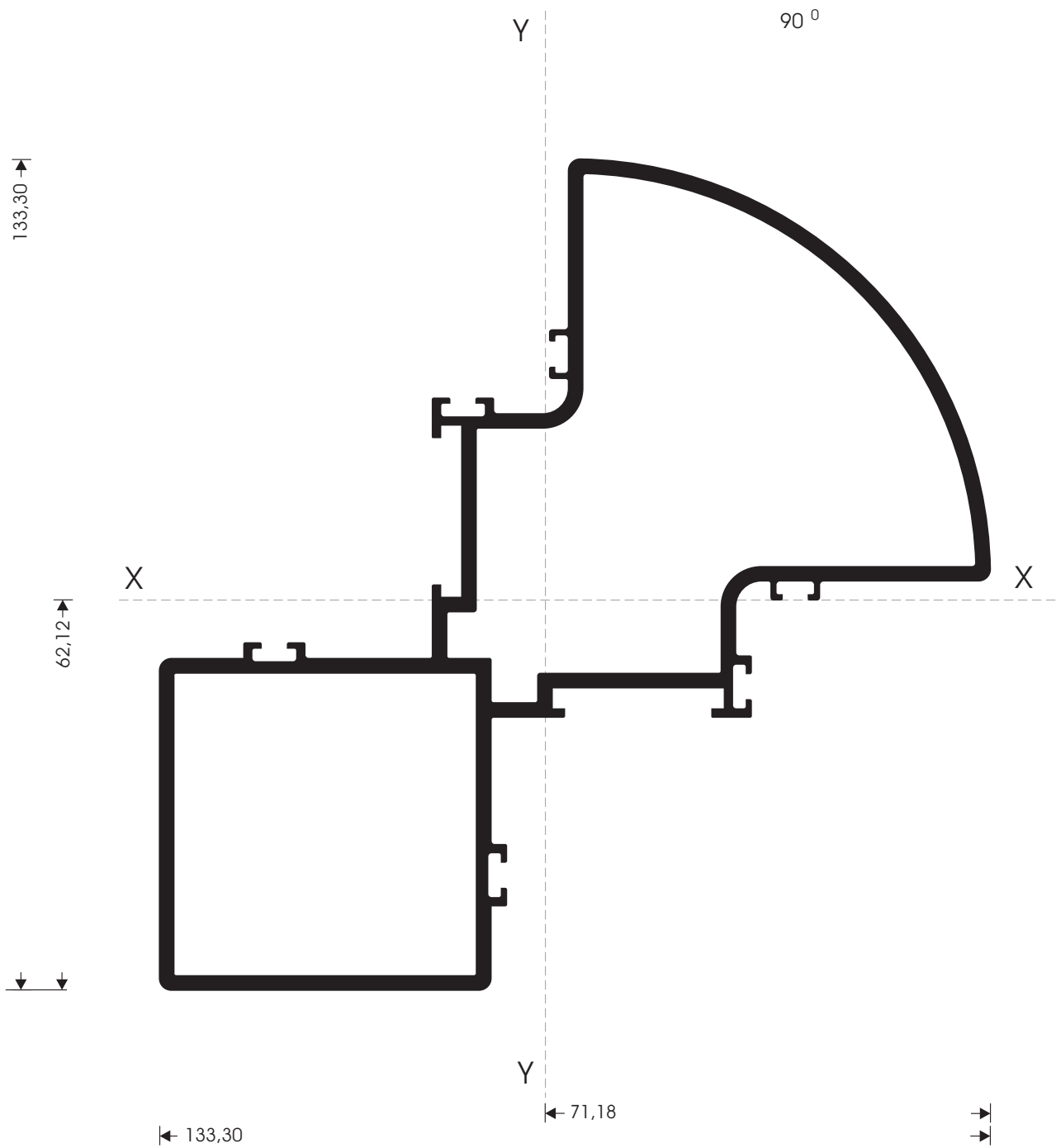


**M 9966**

**W = 3581 gr/m**

$I_x = 188,60 \text{ cm}^4$

$J_y = 188,60 \text{ cm}^4$

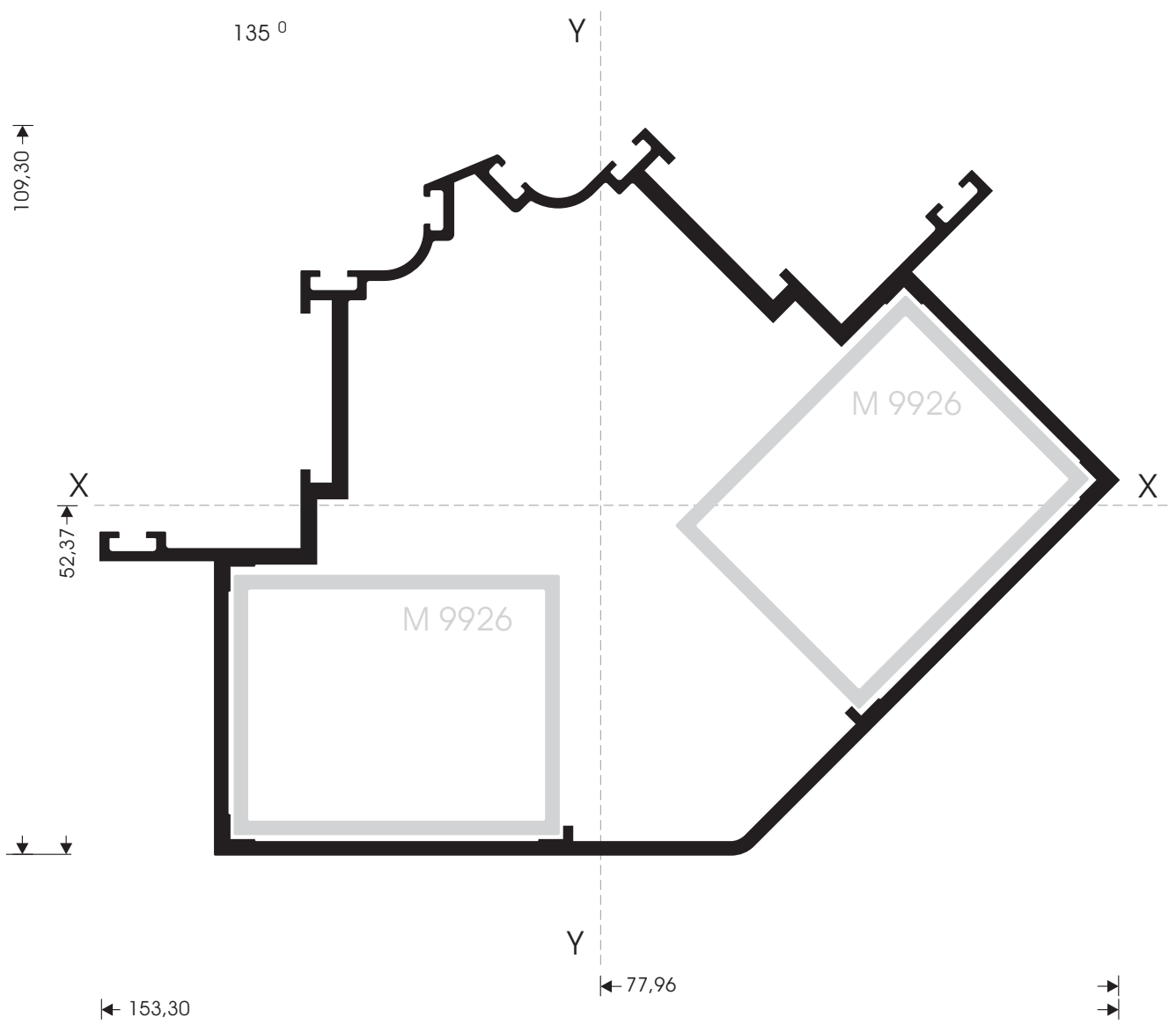


# M 9967

W = 2918 gr/m

$I_x = 134,97 \text{ cm}^4$

$J_y = 209,13 \text{ cm}^4$

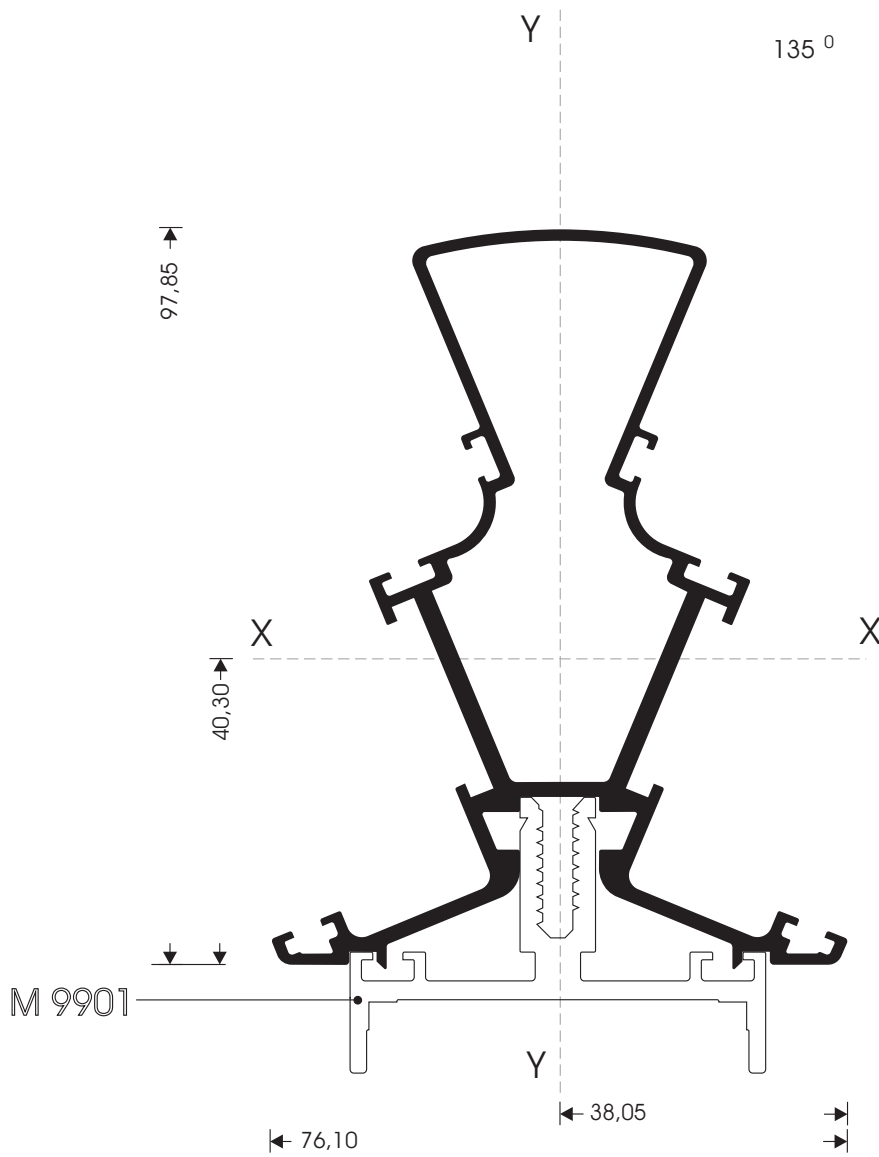


**M 9965**

**W = 1925 gr/m**

**I<sub>x</sub> = 65,61 cm<sup>4</sup>**

**I<sub>y</sub> = 18,79 cm<sup>4</sup>**



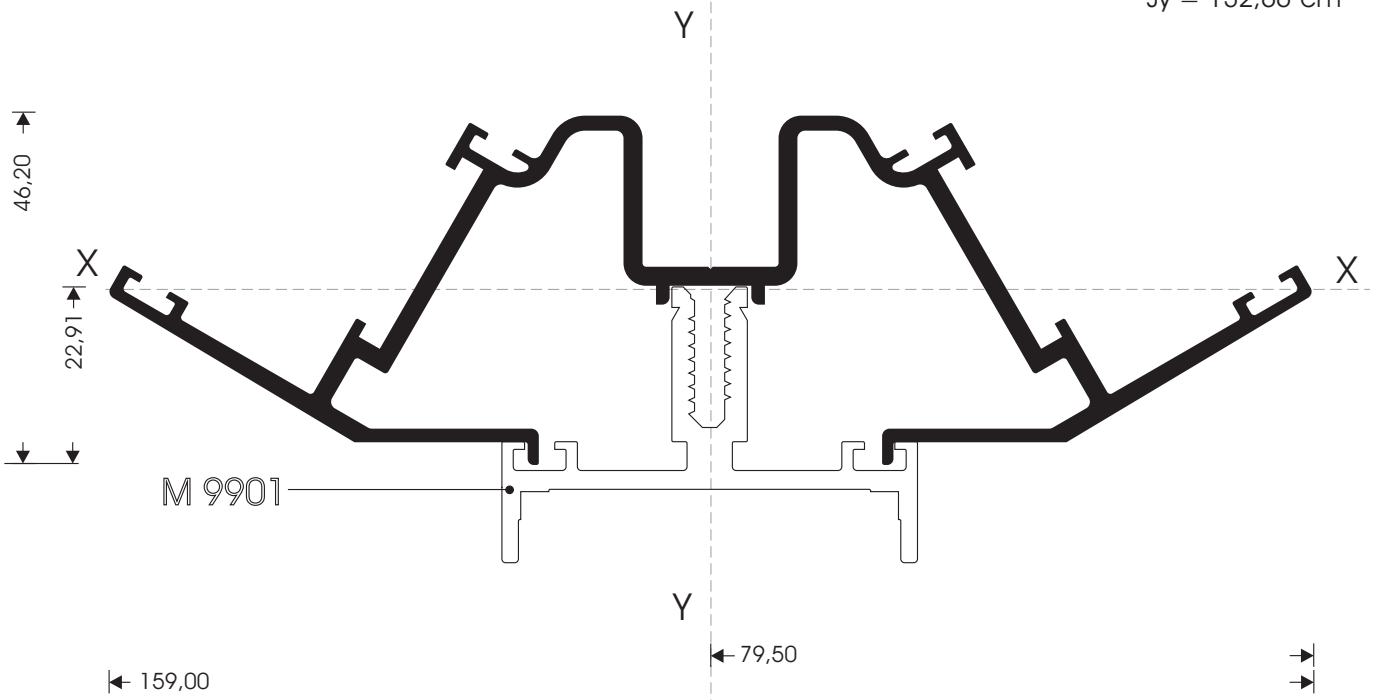
M 9957

W = 2118 gr/m

I<sub>x</sub> = 13,70 cm<sup>4</sup>

J<sub>y</sub> = 132,66 cm<sup>4</sup>

120°



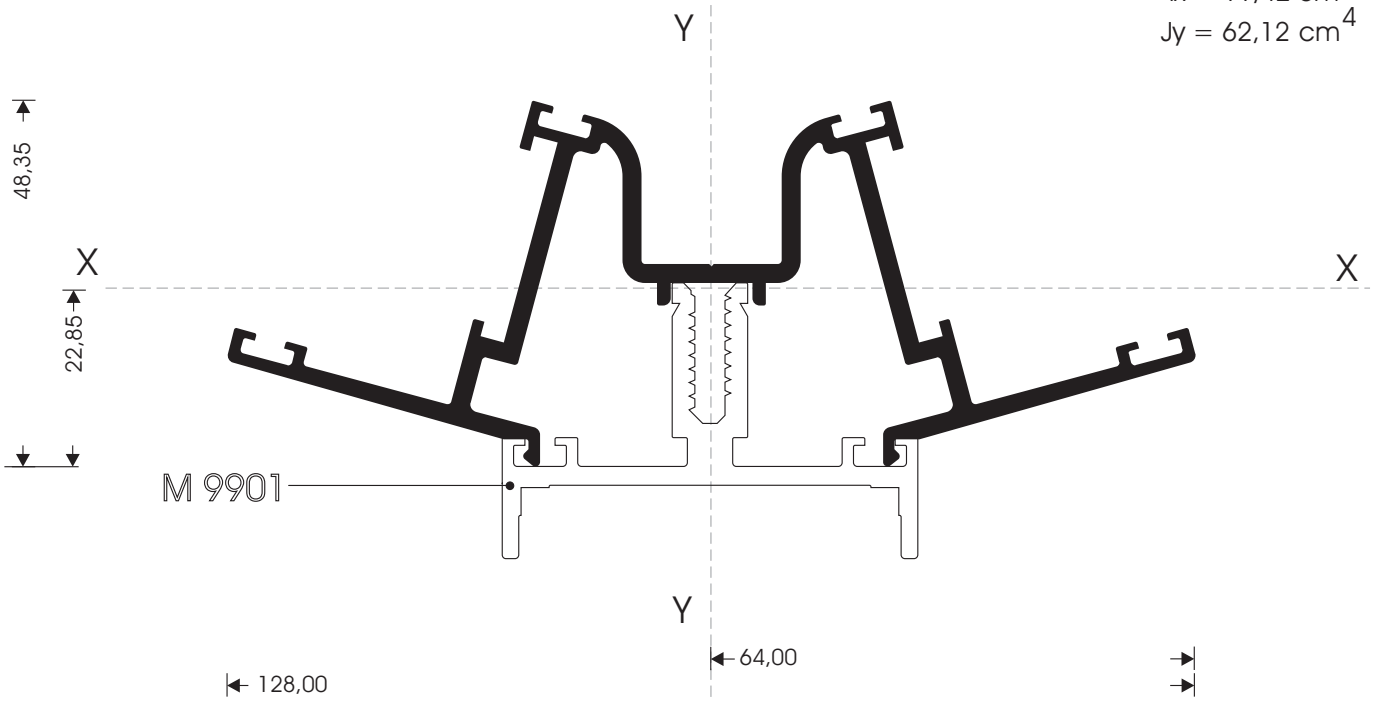
M 9977

W = 1779 gr/m

I<sub>x</sub> = 11,42 cm<sup>4</sup>

J<sub>y</sub> = 62,12 cm<sup>4</sup>

150°

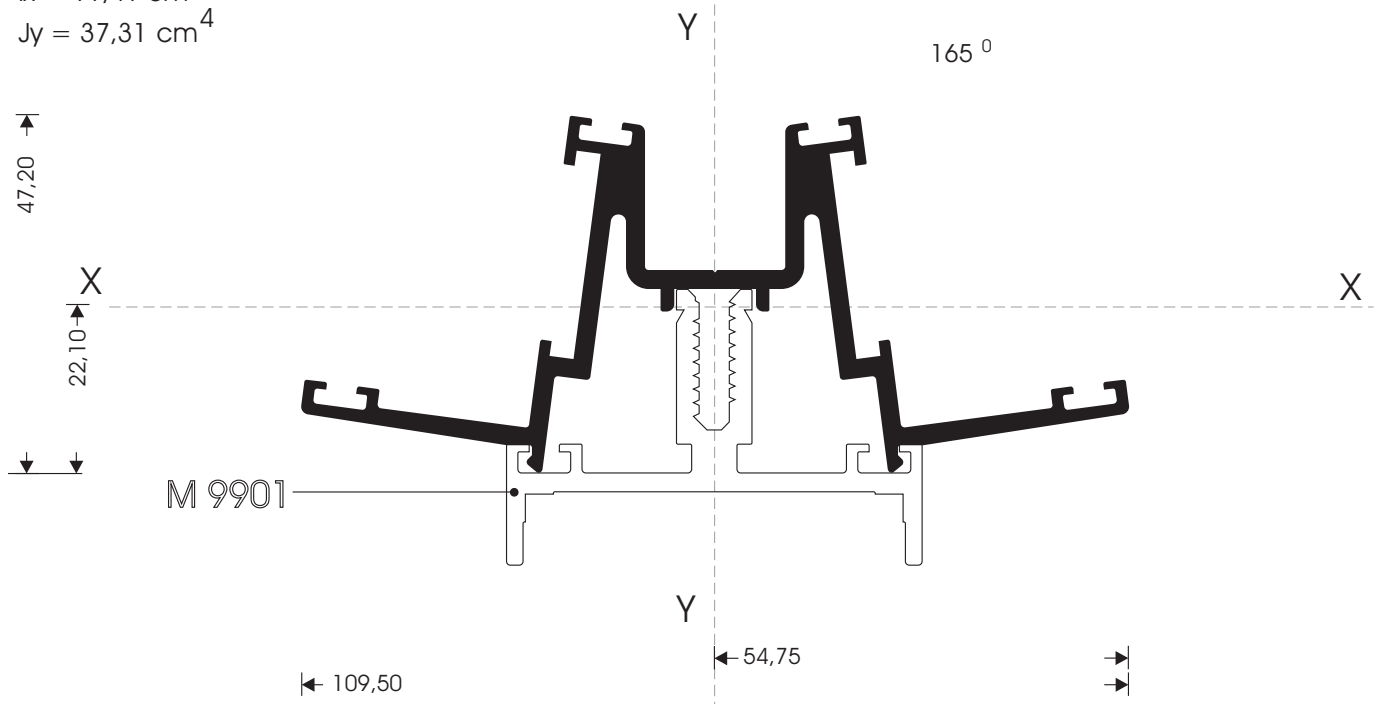


**M 9976**

**W = 1666 gr/m**

$I_x = 11,41 \text{ cm}^4$

$J_y = 37,31 \text{ cm}^4$

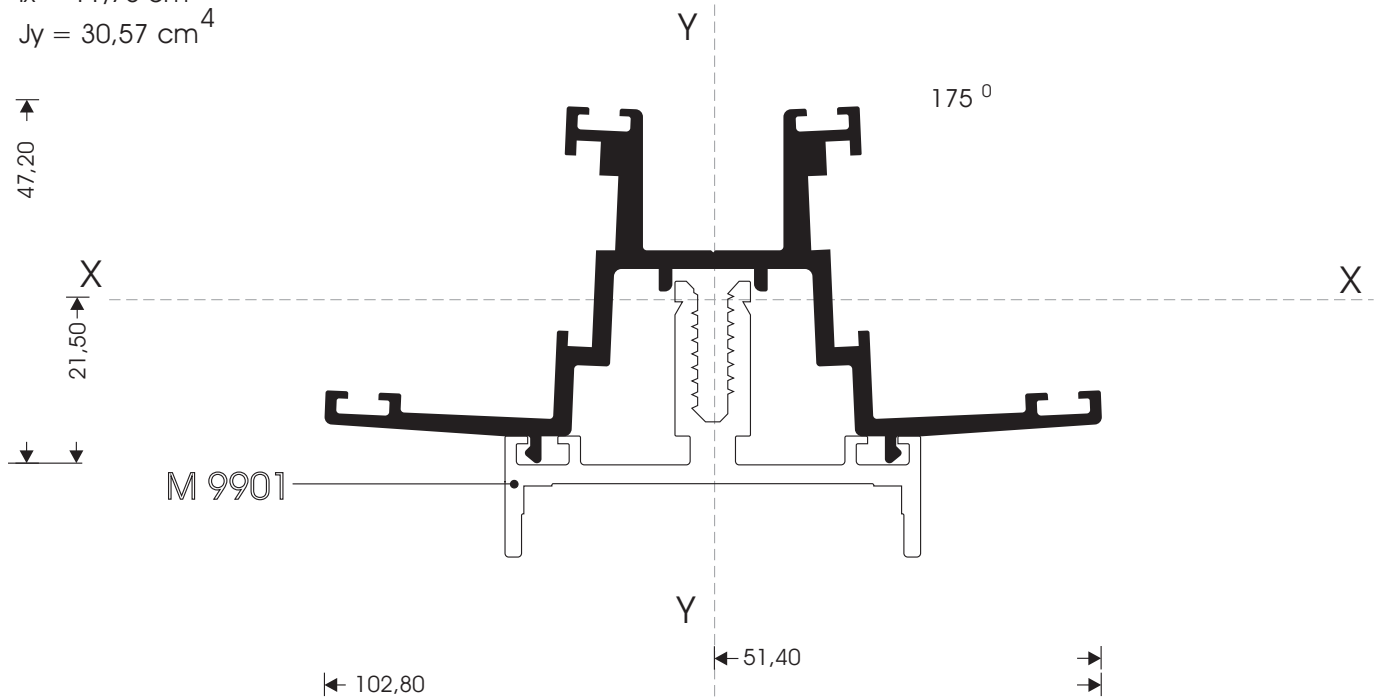


**M 109975**

**W = 1556 gr/m**

$I_x = 11,75 \text{ cm}^4$

$J_y = 30,57 \text{ cm}^4$



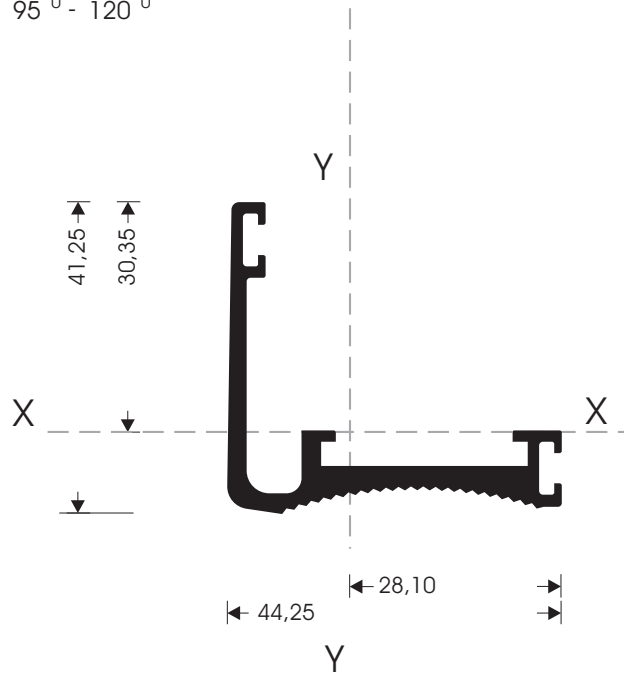
M 10981

W = 739 gr/m

$I_x = 3,24 \text{ cm}^4$

$J_y = 6,01 \text{ cm}^4$

95° - 120°



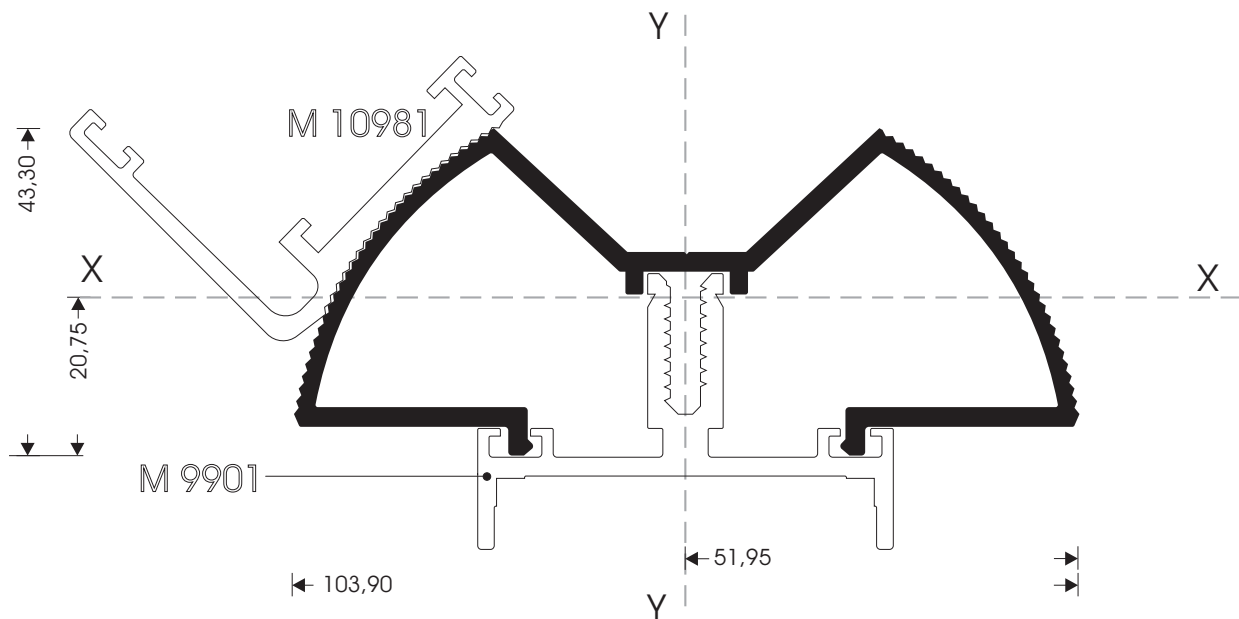
M 10980

W = 1536 gr/m

$I_x = 9,82 \text{ cm}^4$

$J_y = 62,63 \text{ cm}^4$

95° - 120°



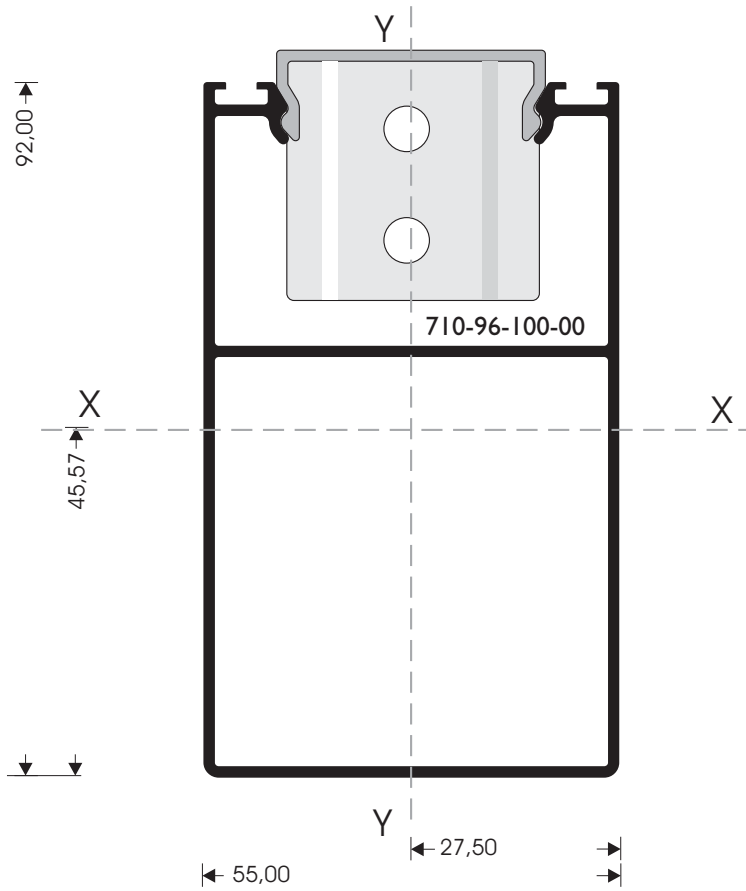


**M 9974**

**W = 1316 gr/m**

$I_x = 46,22 \text{ cm}^4$

$J_y = 25,50 \text{ cm}^4$

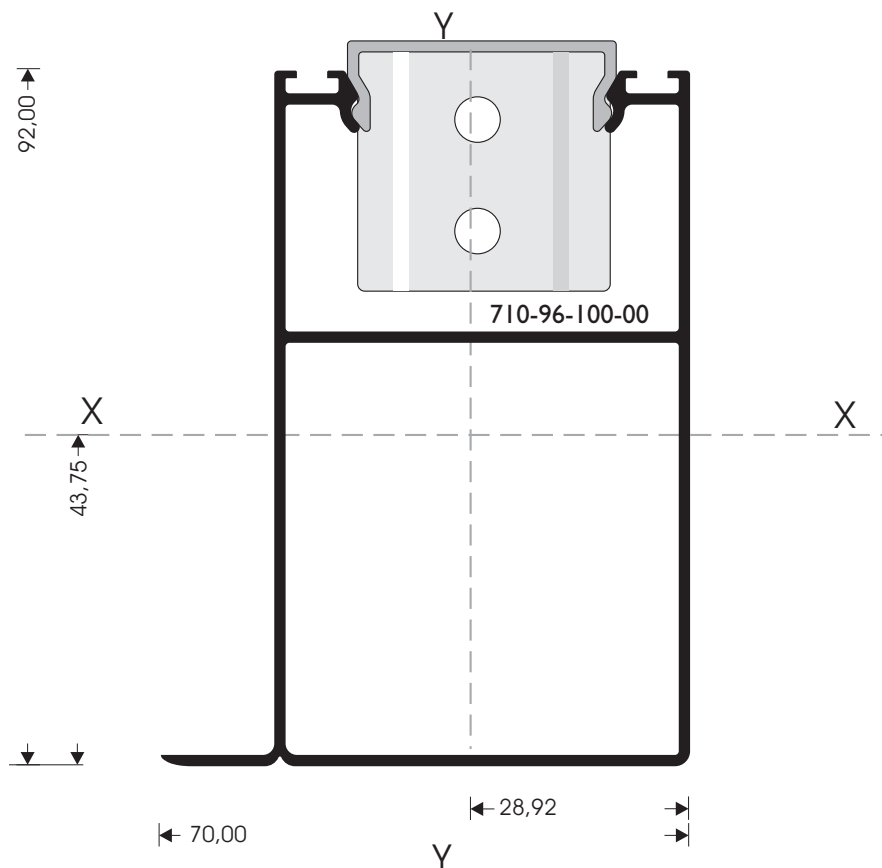


**M 9973**

**W = 1373 gr/m**

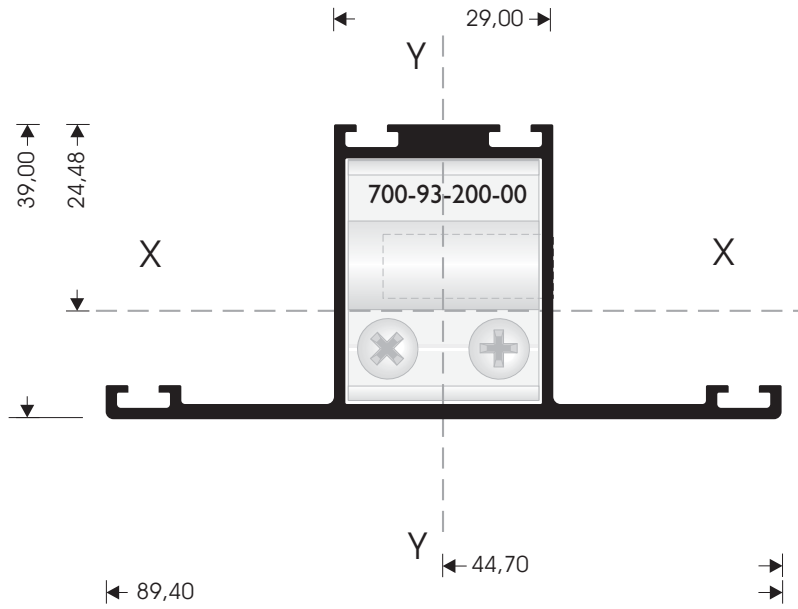
$I_x = 50,75 \text{ cm}^4$

$J_y = 27,54 \text{ cm}^4$



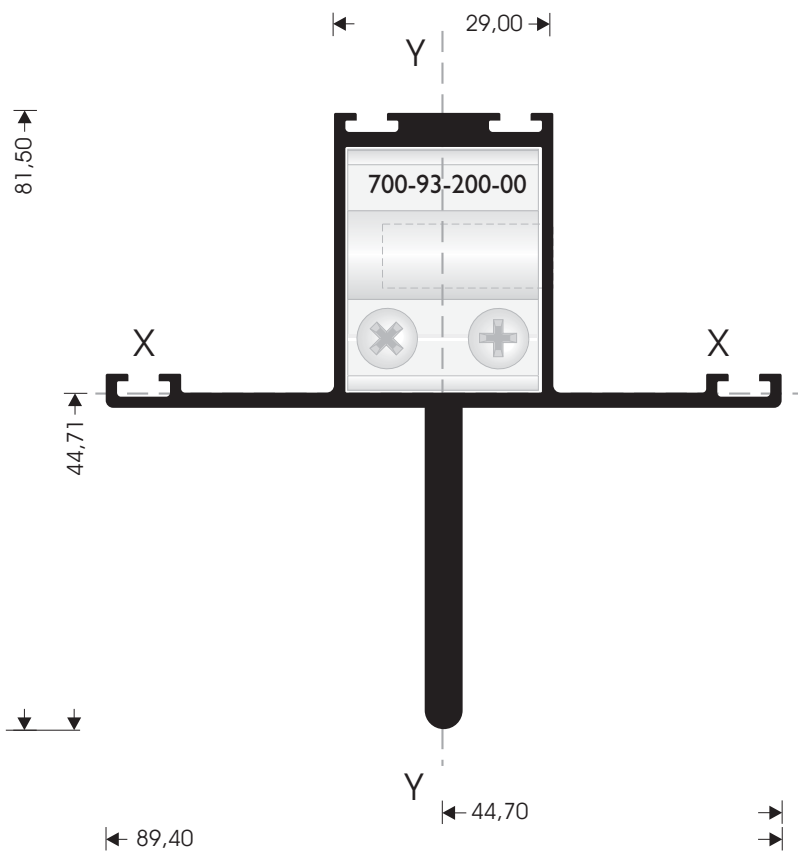
M 9955

W = 1056 gr/m  
 $I_x = 9,35 \text{ cm}^4$   
 $J_y = 16,60 \text{ cm}^4$



M 9975

W = 1626 gr/m  
 $I_x = 29,76 \text{ cm}^4$   
 $J_y = 16,64 \text{ cm}^4$

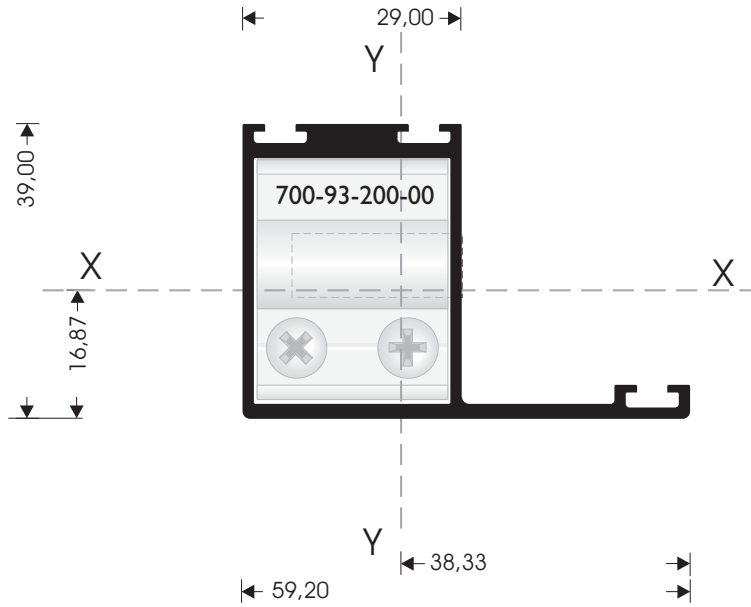


**M 109955**

**W = 876 gr/m**

$I_x = 7,90 \text{ cm}^4$

$J_y = 8,43 \text{ cm}^4$

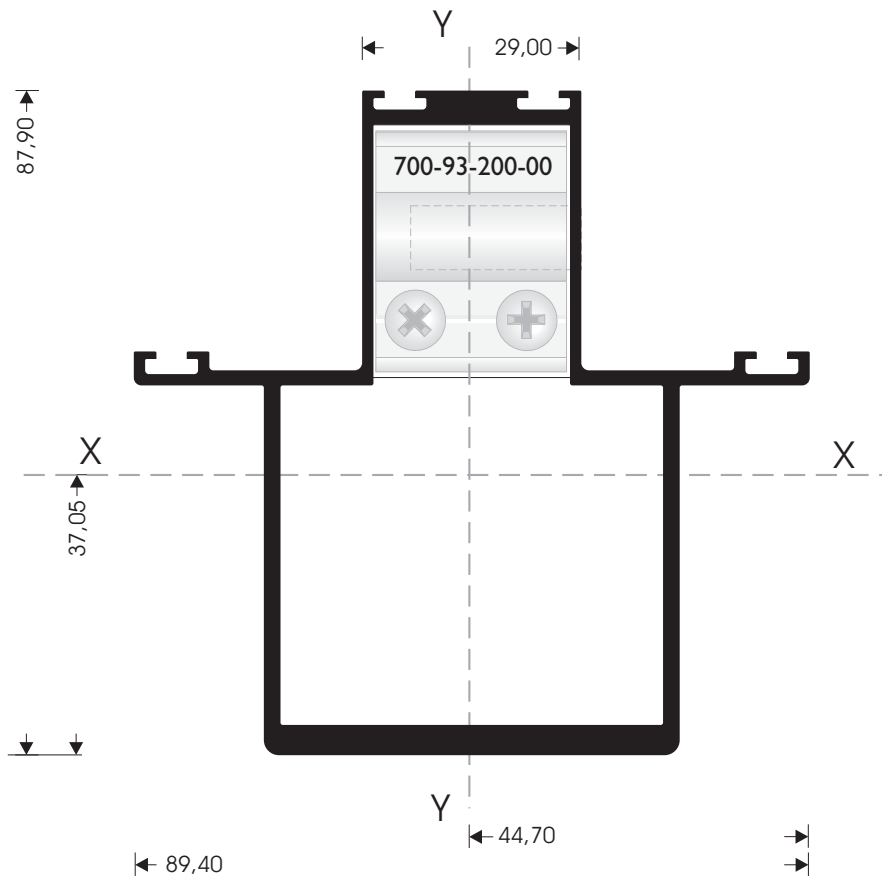


**M 9950**

**W = 2013 gr/m**

$I_x = 67,15 \text{ cm}^4$

$J_y = 35,09 \text{ cm}^4$

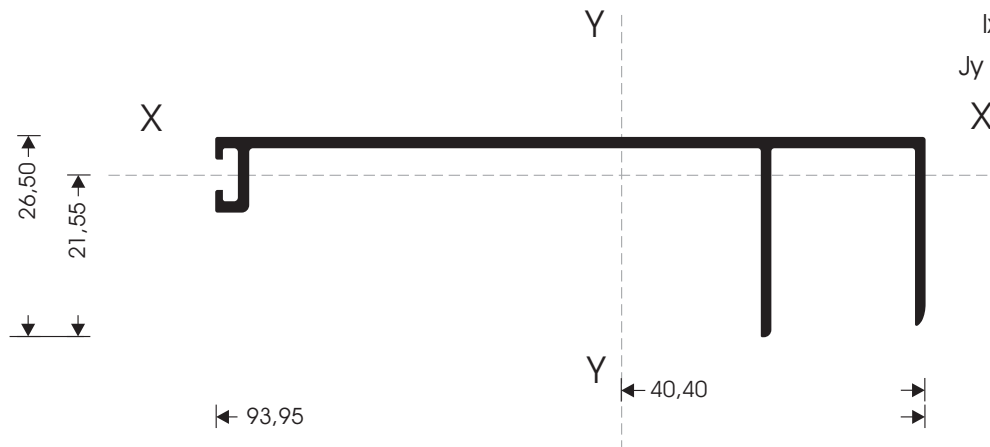


M 9971

W = 616 gr/m

$I_x = 0,91 \text{ cm}^4$

$J_y = 22,69 \text{ cm}^4$

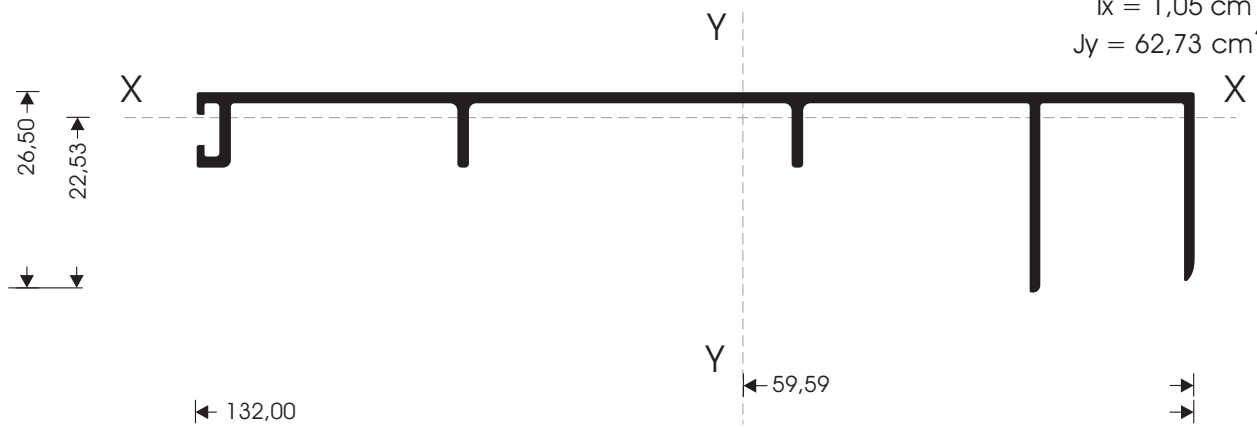


M 9972

W = 940 gr/m

$I_x = 1,05 \text{ cm}^4$

$J_y = 62,73 \text{ cm}^4$

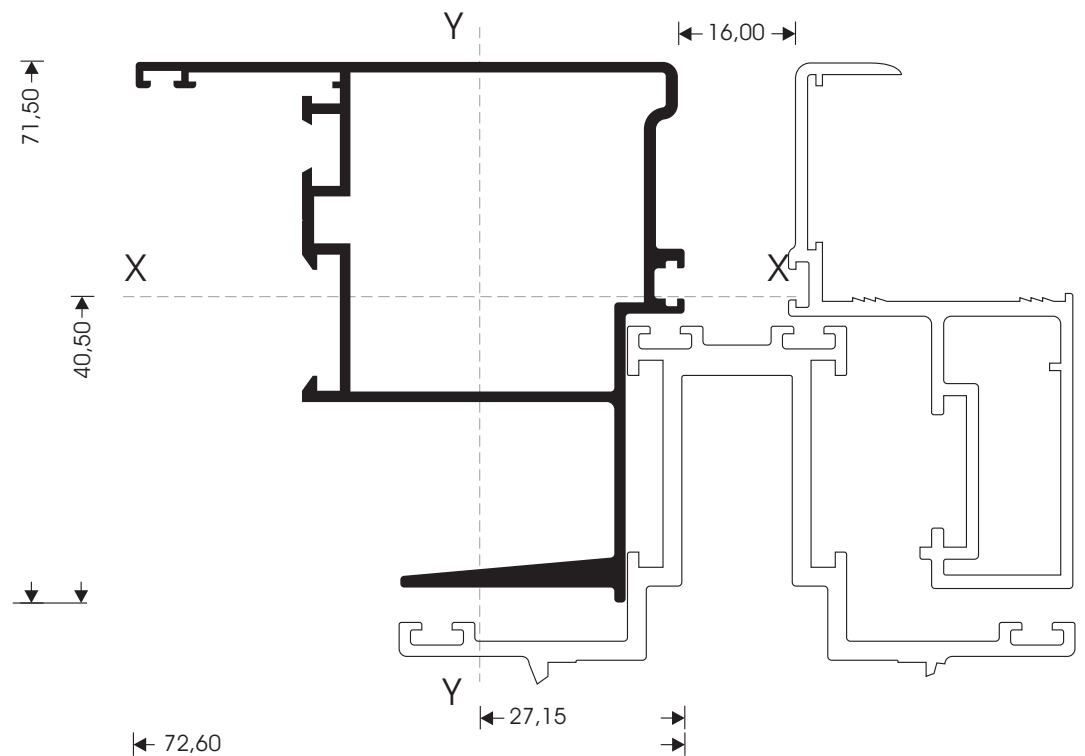


M 9888

W = 1257 gr/m

$I_x = 28,43 \text{ cm}^4$

$J_y = 17,40 \text{ cm}^4$

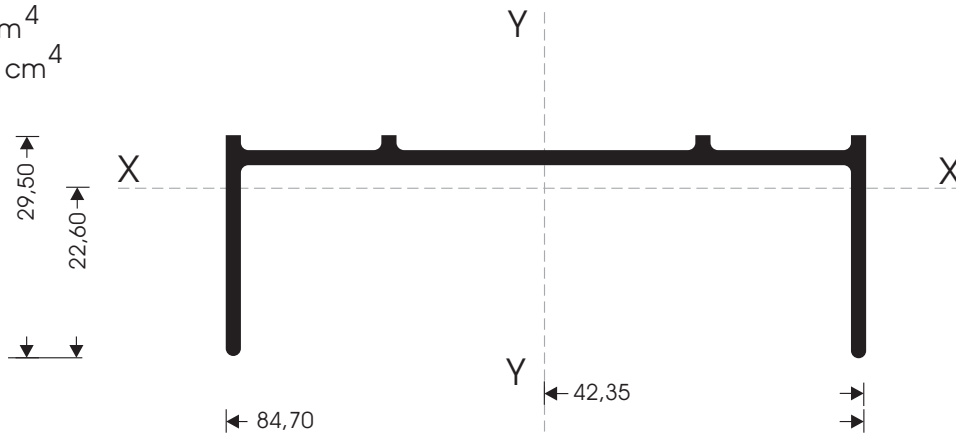


### M 9969

W = 780 gr/m

$I_x = 1,83 \text{ cm}^4$

$J_y = 29,33 \text{ cm}^4$

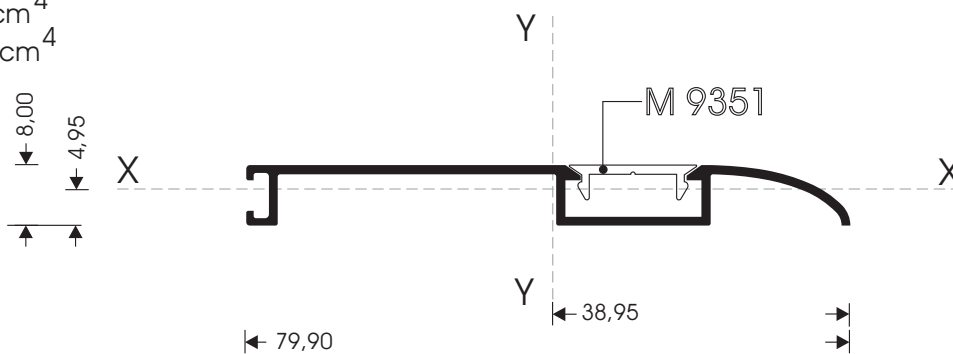


### M 9960

W = 358 gr/m

$I_x = 0,11 \text{ cm}^4$

$J_y = 7,64 \text{ cm}^4$

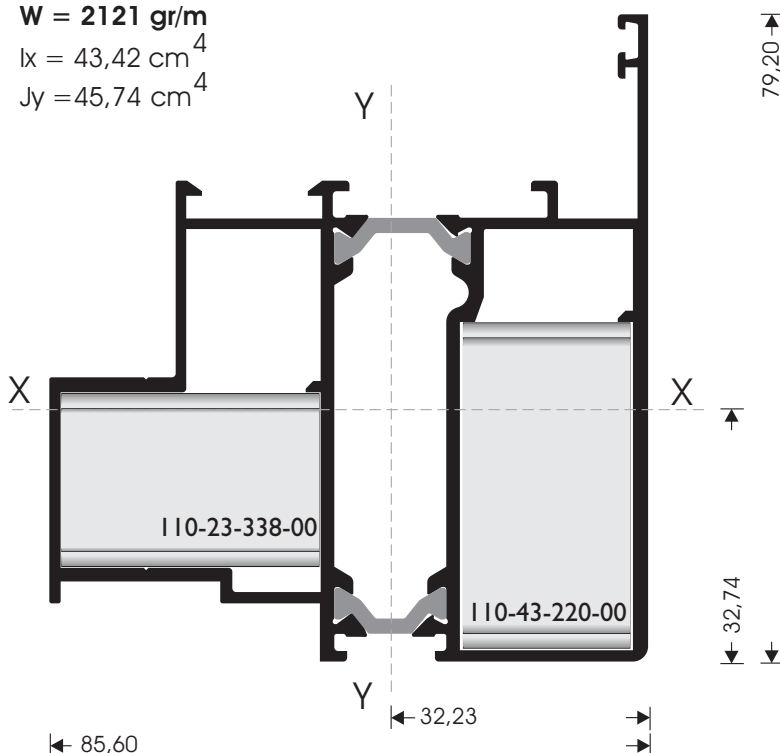


### M 10903

W = 2121 gr/m

$I_x = 43,42 \text{ cm}^4$

$J_y = 45,74 \text{ cm}^4$

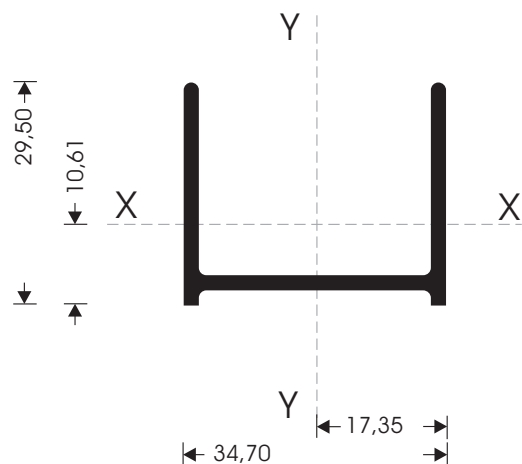


### M 109969

W = 780 gr/m

$I_x = 3,64 \text{ cm}^4$

$J_y = 6,66 \text{ cm}^4$



M 9968

W = 195 gr/m



M 9948

W = 221 gr/m

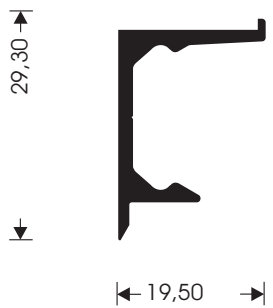


M 9978

W = 301 gr/m

$I_x = 0,93 \text{ cm}^4$

$J_y = 0,30 \text{ cm}^4$

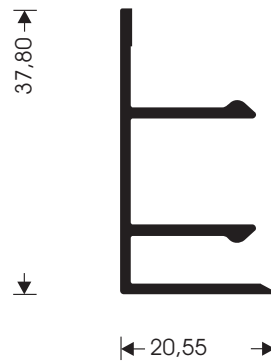


M 9979

W = 358 gr/m

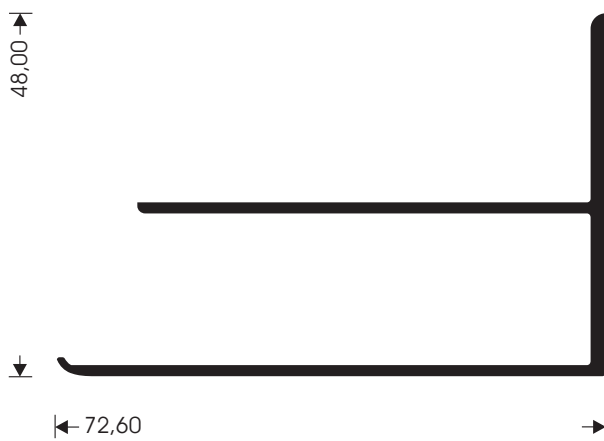
$I_x = 1,60 \text{ cm}^4$

$J_y = 0,48 \text{ cm}^4$



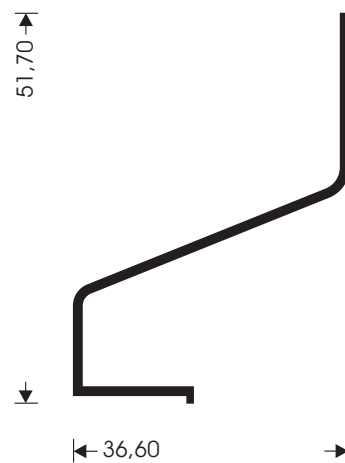
M 9962

W = 783 gr/m



M 9970

W = 313 gr/m

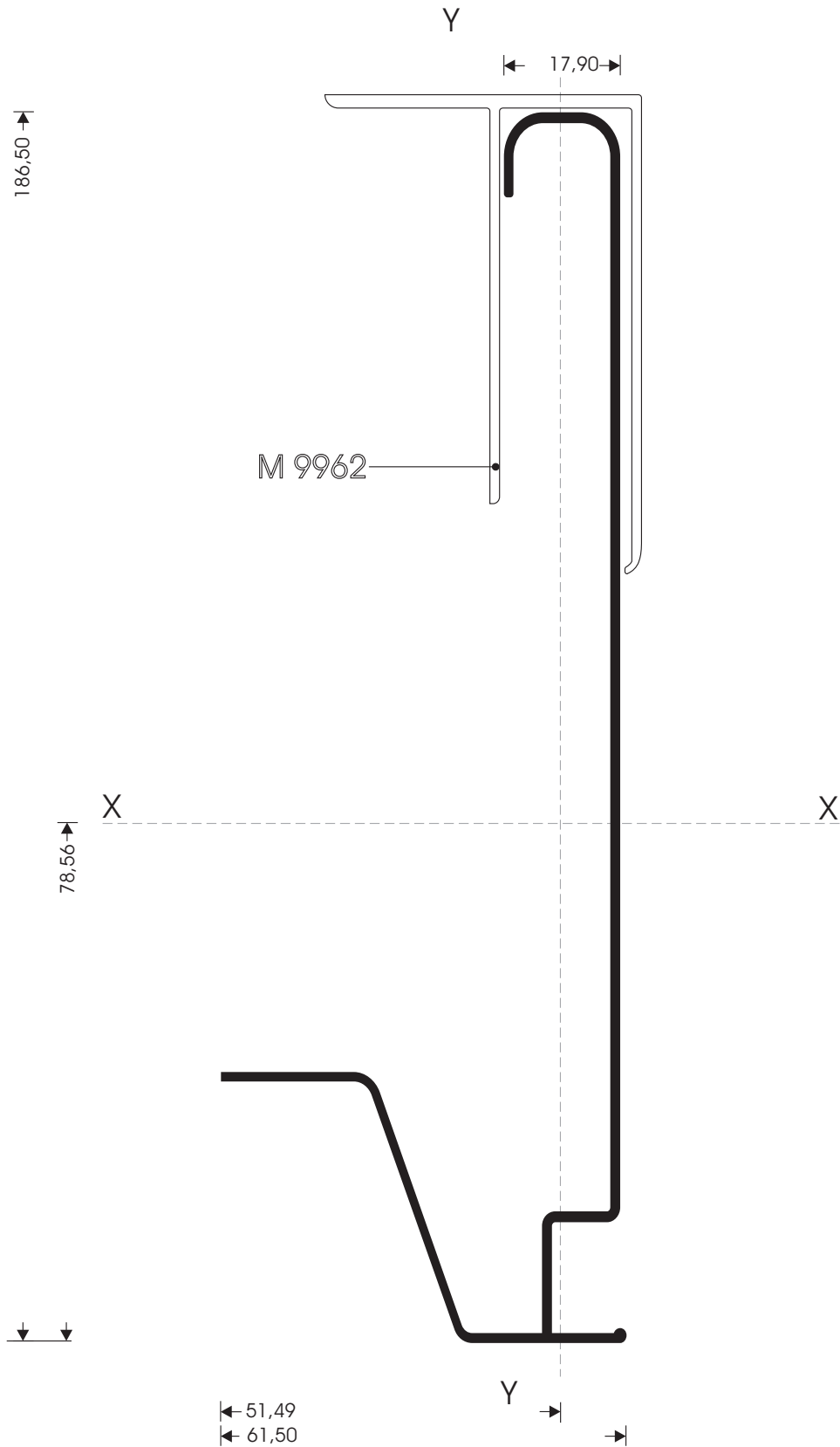


M 9961

W = 1178 gr/m

$I_x = 172,44 \text{ cm}^4$

$J_y = 8,16 \text{ cm}^4$

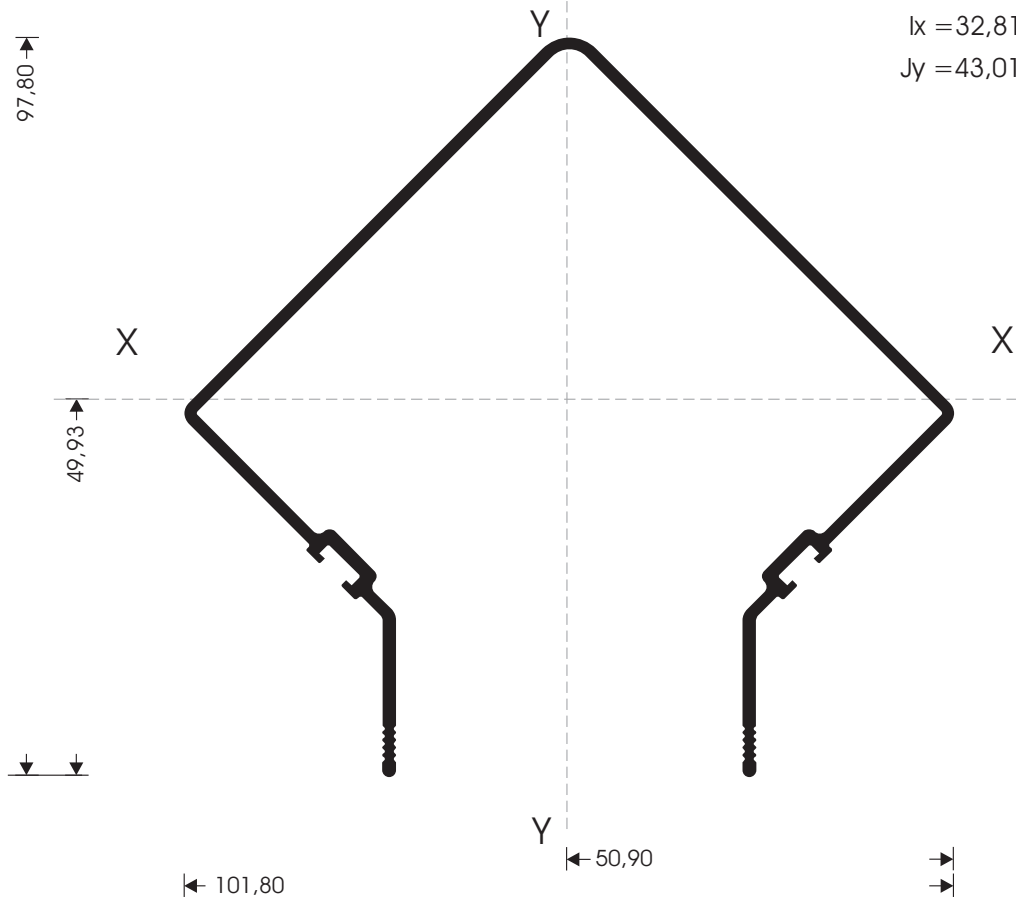


M 9998

W = 1201 gr/m

$I_x = 32,81 \text{ cm}^4$

$J_y = 43,01 \text{ cm}^4$

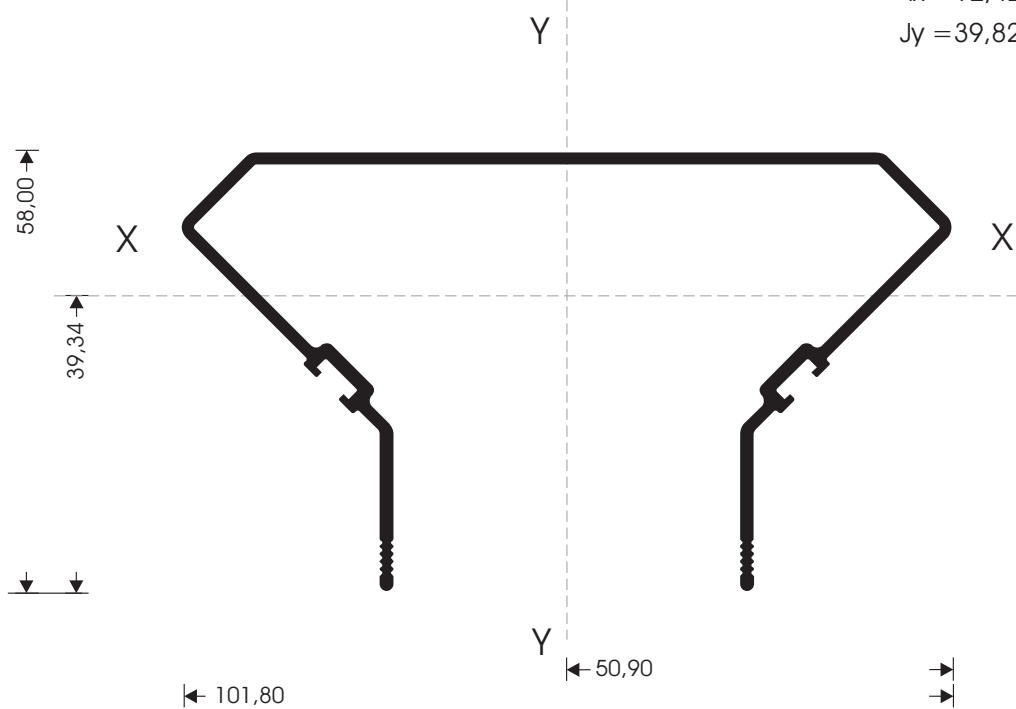


M 9999

W = 1060 gr/m

$I_x = 12,42 \text{ cm}^4$

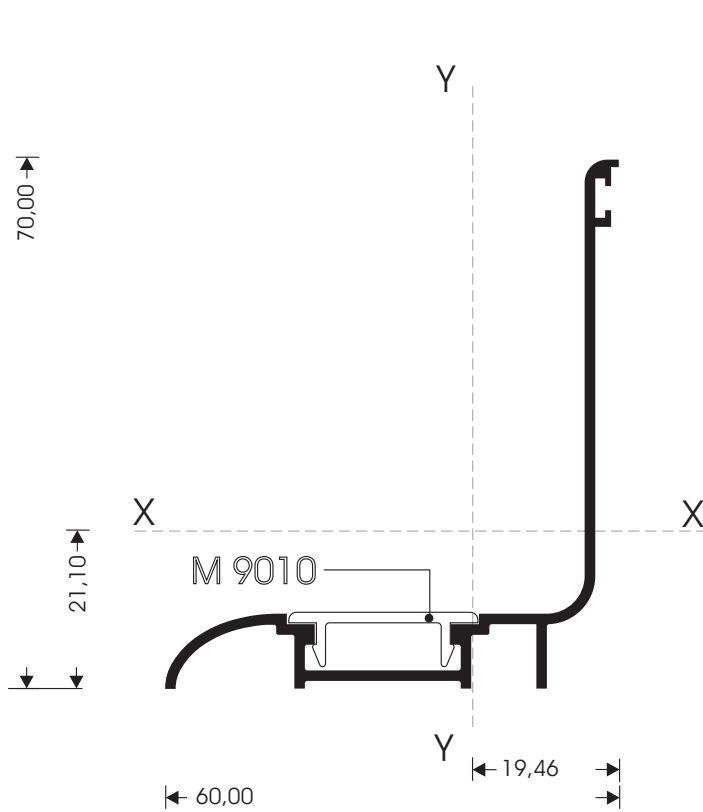
$J_y = 39,82 \text{ cm}^4$





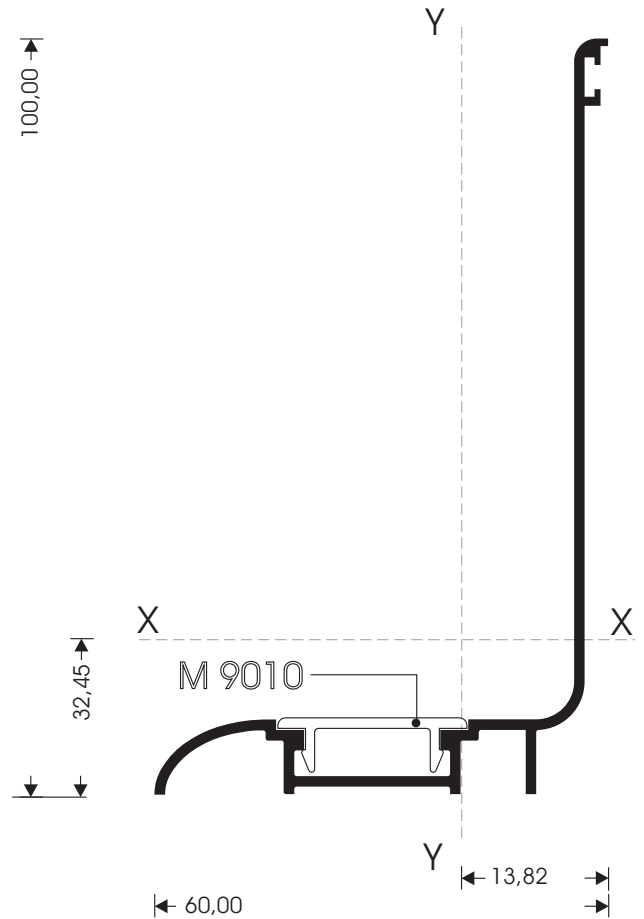
**M 9913**

**W = 585 gr/m**  
 $I_x = 14,64 \text{ cm}^4$   
 $J_y = 3,03 \text{ cm}^4$



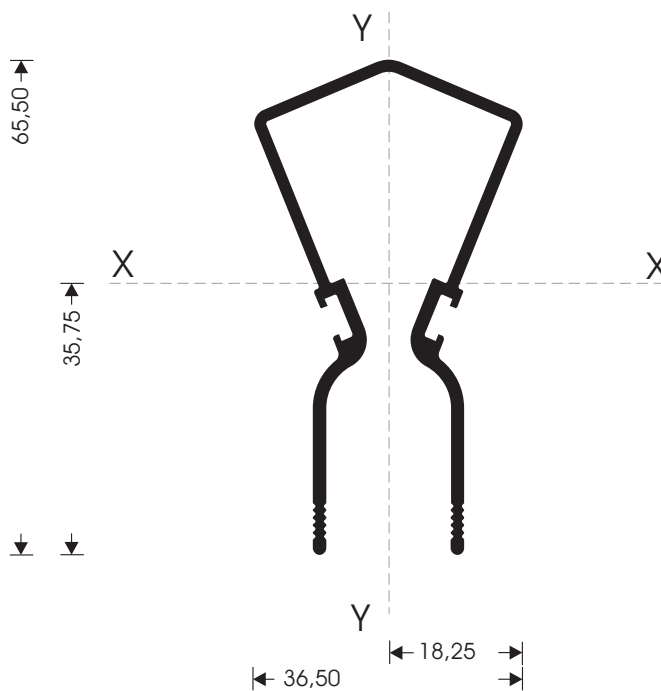
**M 9914**

**W = 699 gr/m**  
 $I_x = 31,46 \text{ cm}^4$   
 $J_y = 4,23 \text{ cm}^4$



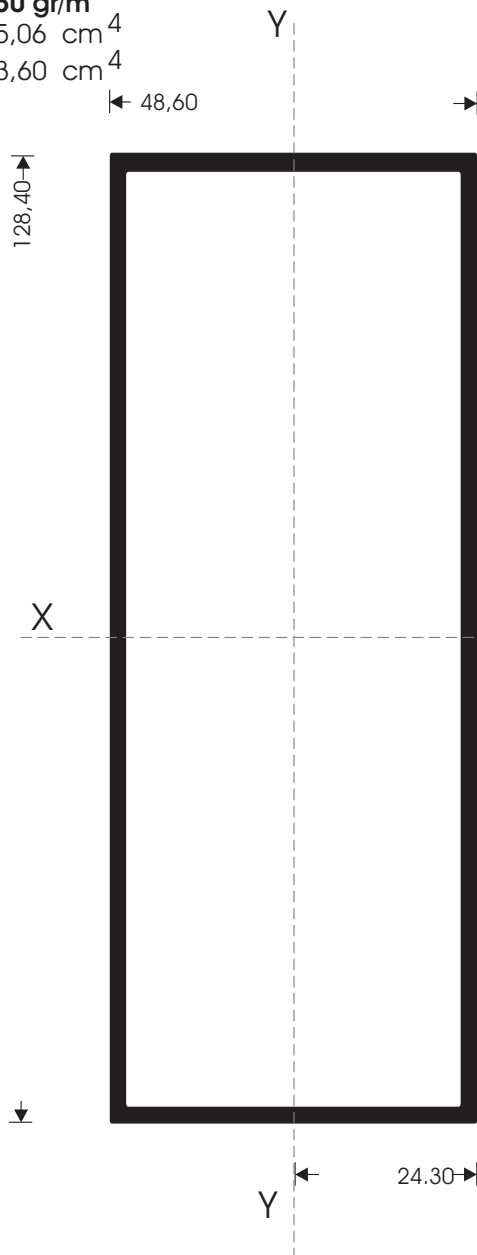
**M 9997**

**W = 793 gr/m**  
 $I_x = 10,45 \text{ cm}^4$   
 $J_y = 2,99 \text{ cm}^4$



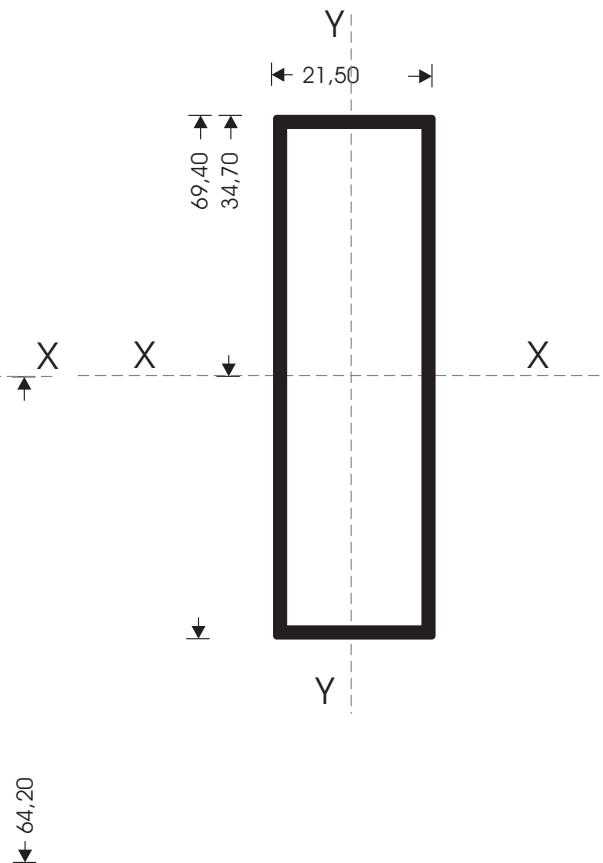
M 9941

W = 2050 gr/m  
 $I_x = 155,06 \text{ cm}^4$   
 $J_y = 33,60 \text{ cm}^4$



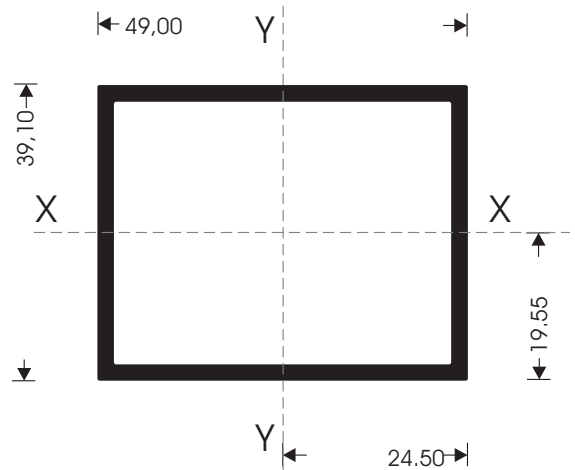
M 9949

W = 851 gr/m  
 $I_x = 17,55 \text{ cm}^4$   
 $J_y = 2,60 \text{ cm}^4$



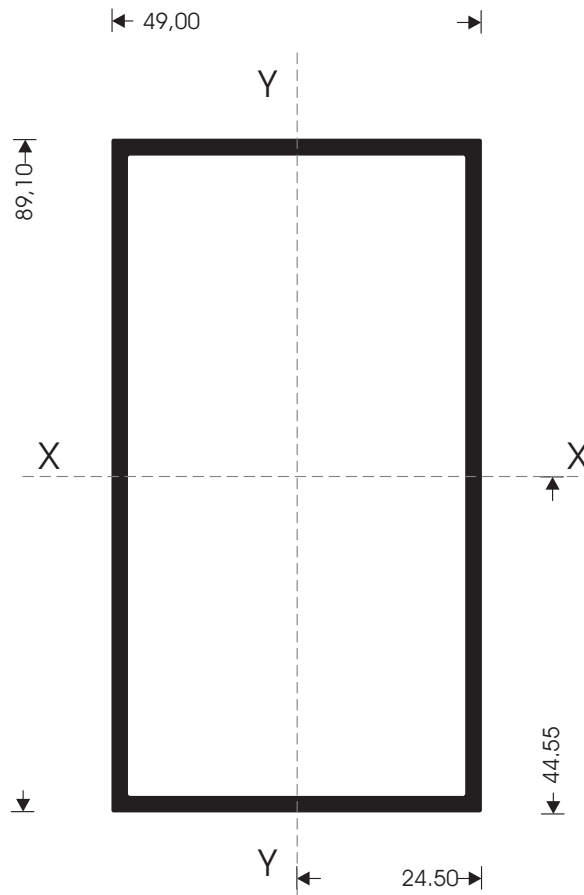
M 9926

W = 994 gr/m  
 $I_x = 8,88 \text{ cm}^4$   
 $J_y = 12,68 \text{ cm}^4$



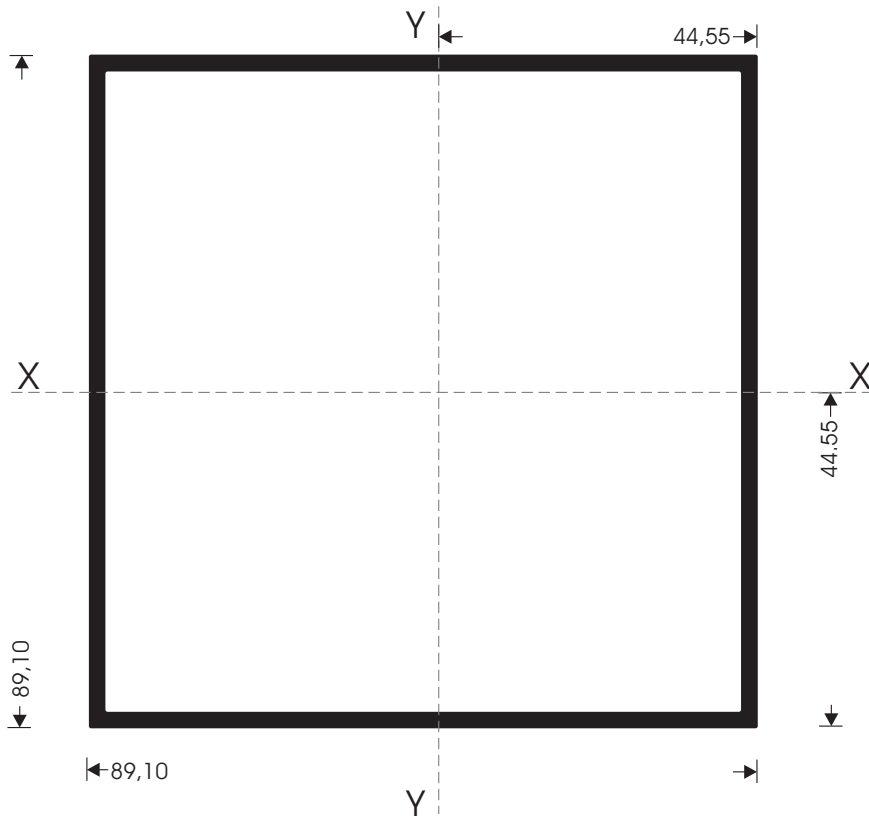
**M 9925**

**W = 1588 gr/m**  
 $I_x = 62,99 \text{ cm}^4$   
 $J_y = 24,73 \text{ cm}^4$



**M 9920**

**W = 2065 gr/m**  
 $I_x = 96,31 \text{ cm}^4$   
 $J_y = 96,31 \text{ cm}^4$

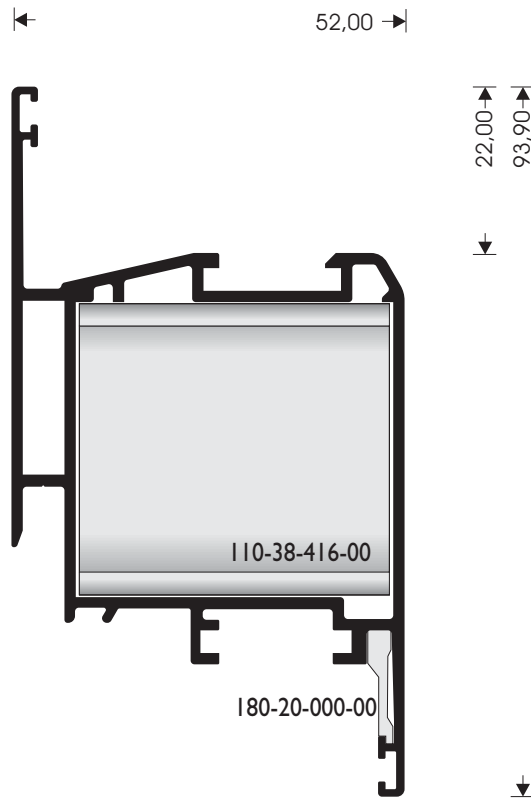


M 9503

W = 1319 gr/m

$I_x = 24,31 \text{ cm}^4$

$J_y = 19,31 \text{ cm}^4$

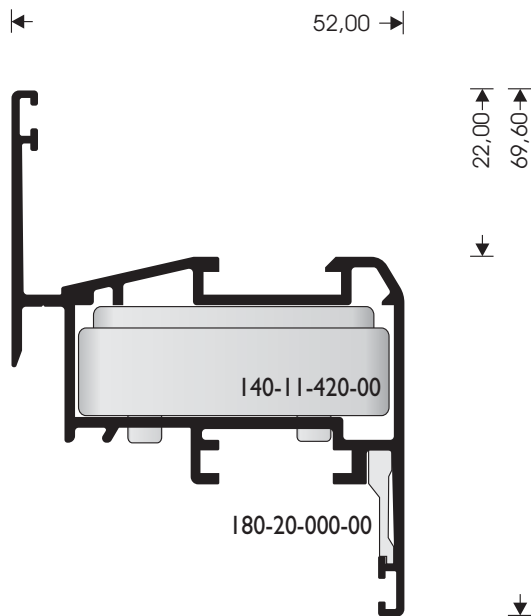


M 9501

W = 965 gr/m

$I_x = 7,36 \text{ cm}^4$

$J_y = 12,63 \text{ cm}^4$

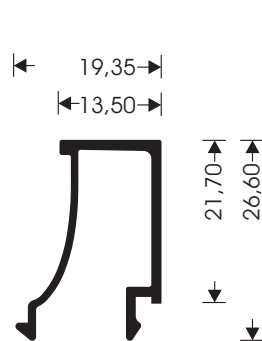


M 9312

W = 242 gr/m

$I_x = 0,65 \text{ cm}^4$

$J_y = 0,33 \text{ cm}^4$

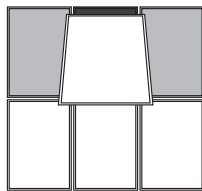


**M 9982**

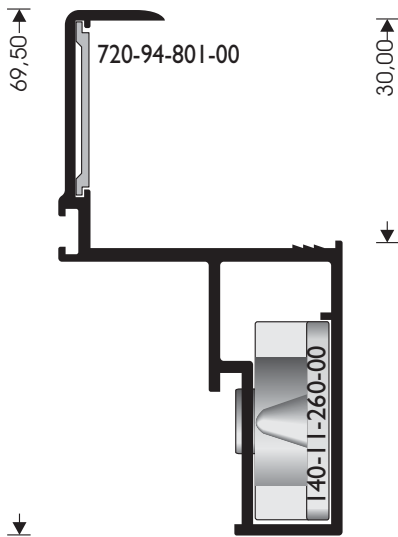
**W = 783 gr/m**

$I_x = 10,46 \text{ cm}^4$

$J_y = 5,44 \text{ cm}^4$



37,60 →  
← 14,00 →

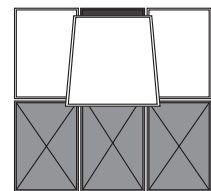


**M 9981**

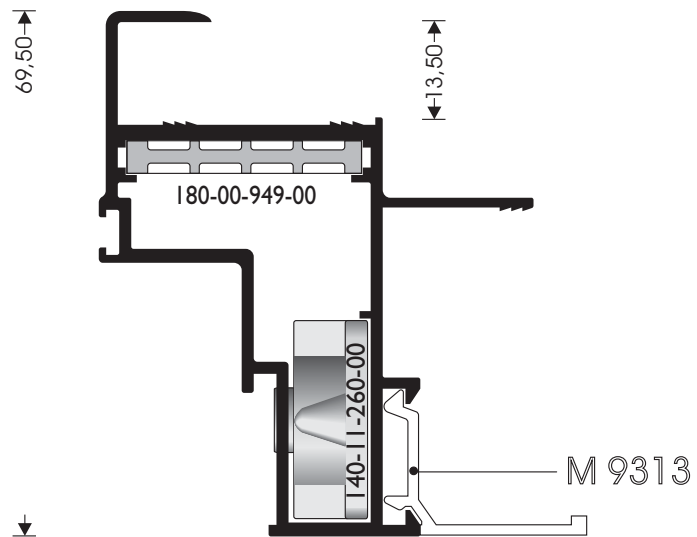
**W = 1118 gr/m**

$I_x = 15,92 \text{ cm}^4$

$J_y = 8,75 \text{ cm}^4$



57,50 →  
← 14,00 →

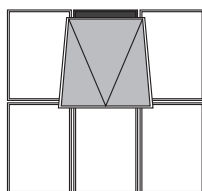


**M 9980**

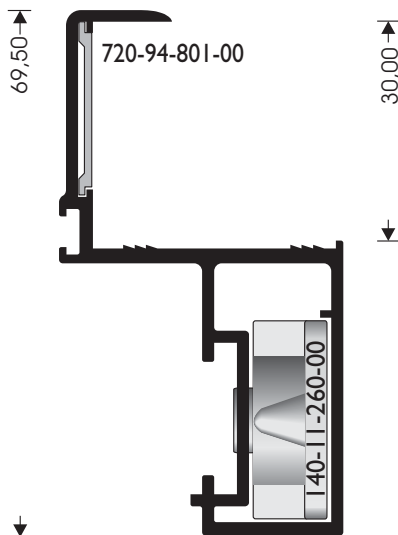
**W = 873 gr/m**

$I_x = 12,60 \text{ cm}^4$

$J_y = 5,03 \text{ cm}^4$



37,60 →  
← 14,00 →

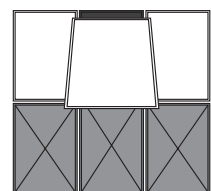


**M 9983**

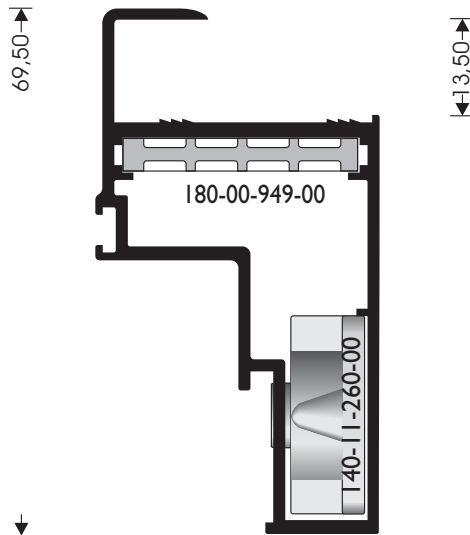
**W = 989 gr/m**

$I_x = 16,07 \text{ cm}^4$

$J_y = 6,18 \text{ cm}^4$

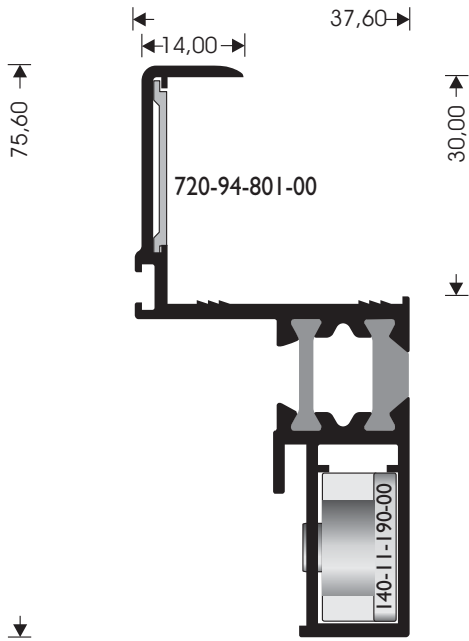


37,60 →  
← 14,00 →



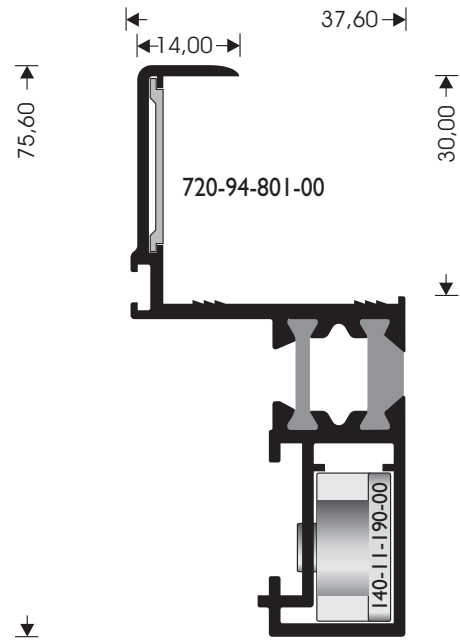
### M 9990

W = 1174 gr/m  
 $I_x = 14,77 \text{ cm}^4$   
 $J_y = 6,13 \text{ cm}^4$



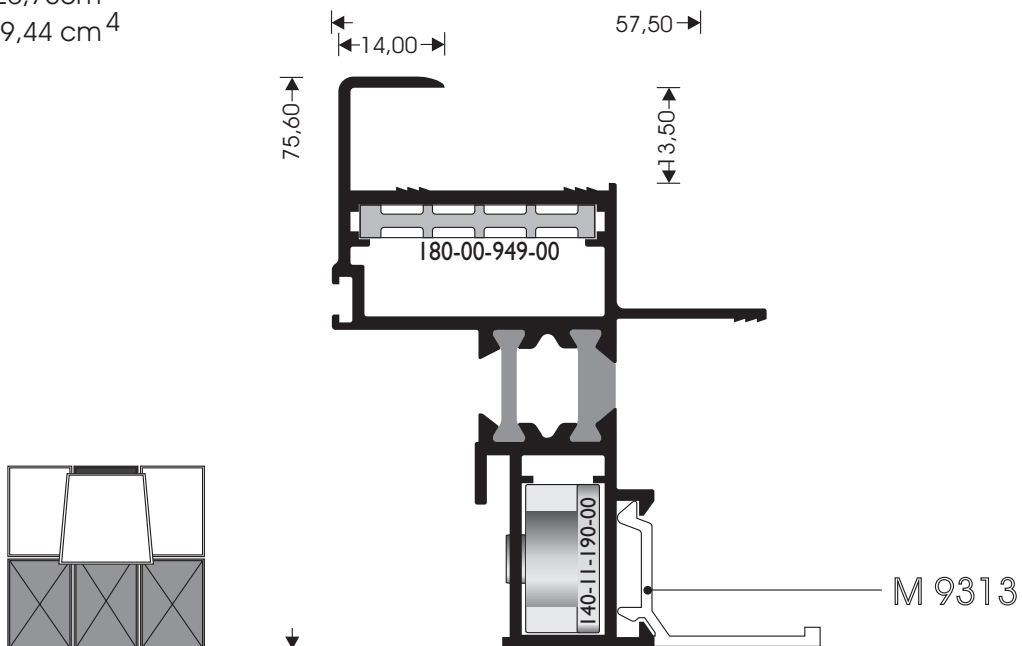
### M 9988

W = 1157 gr/m  
 $I_x = 16,49 \text{ cm}^4$   
 $J_y = 6,14 \text{ cm}^4$



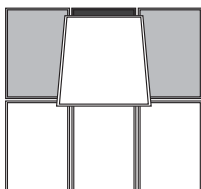
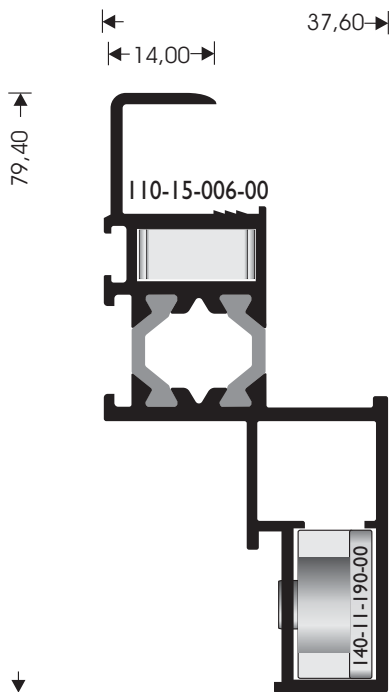
### M 9987

W = 1476 gr/m  
 $I_x = 20,76 \text{ cm}^4$   
 $J_y = 9,44 \text{ cm}^4$



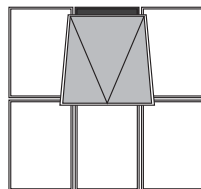
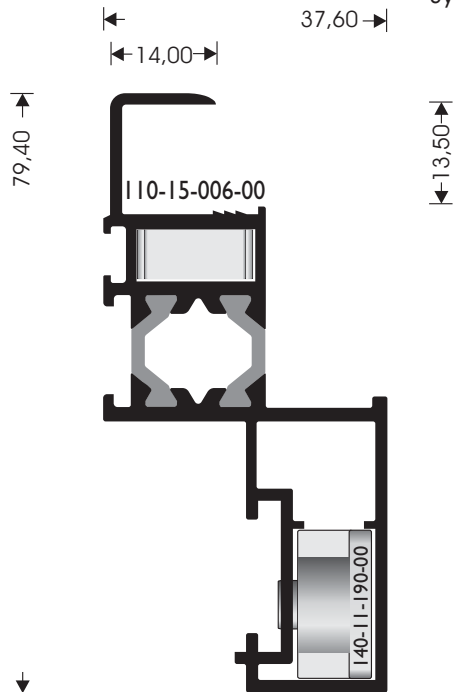
**M 10993**

**W = 1268 gr/m**  
 $I_x = 19,93\text{cm}^4$   
 $J_y = 6,42\text{cm}^4$



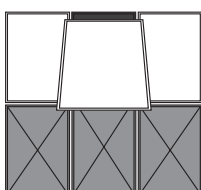
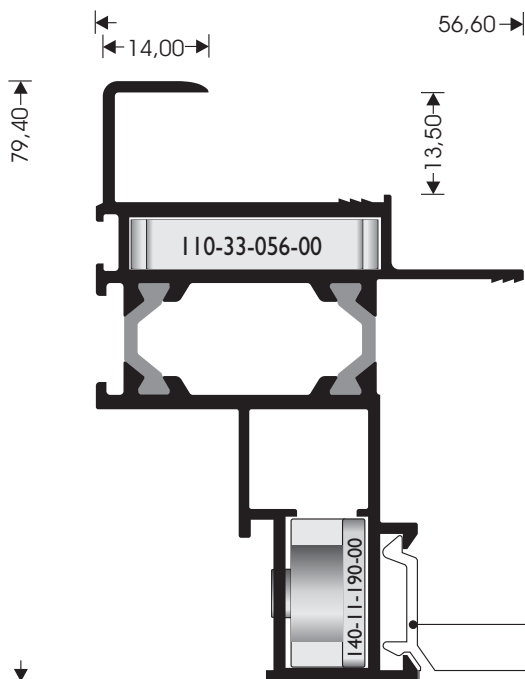
**M 10994**

**W = 1328 gr/m**  
 $I_x = 22,65\text{cm}^4$   
 $J_y = 6,66\text{cm}^4$



**M 10995**

**W = 1570 gr/m**  
 $I_x = 24,51\text{cm}^4$   
 $J_y = 12,47\text{cm}^4$



M 9313